

Fibocom

Perfect Wireless Experience
完美无线体验

FIBOCOM_L860-GL

Hardware User Manual

Version : 1.0.2

Date : 2018-07-28





Copyright

Copyright © 2018 Fibocom Wireless Inc. All rights reserved.

Without the prior written permission of the copyright holder, any company or individual is prohibited to excerpt, copy any part of or the entire document, or distribute the document in any form.

Notice

changes or modifications not expressly approved by the party responsible for compliance could void the user's authority to operate the equipment.

This equipment has been tested and found to comply with the limits for a Class B digital device, pursuant to Part 15 of the FCC Rules. These limits are designed to provide reasonable protection against harmful interference in a residential installation. This equipment generates, uses and can radiate radio frequency energy and, if not installed and used in accordance with the instructions, may cause harmful interference to radio communications. However, there is no guarantee that interference will not occur in a particular installation.

If this equipment does cause harmful interference to radio or television reception, which can be determined by turning the equipment off and on, the user is encouraged to try to correct the interference by one or more of the following measures:

- Reorient or relocate the receiving antenna.
- Increase the separation between the equipment and receiver.
- Connect the equipment into an outlet on a circuit different from that to which the receiver is connected.
- Consult the dealer or an experienced radio/TV technician for help.

This equipment complies with FCC radiation exposure limits set forth for an uncontrolled environment. End user must follow the specific operating instructions for satisfying RF exposure compliance. This transmitter must not be co-located or operating in conjunction with any other antenna or transmitter.

This device complies with Part 15 of the FCC Rules. Operation is subject to the following two conditions: (1) this device may not cause harmful interference, and (2) this device must accept any interference received, including interference that may cause undesired operation.

The document is subject to update from time to time owing to the product version upgrade or other reasons. Unless otherwise specified, the document only serves as the user guide. All the statements, information and suggestions contained in the document do not constitute any explicit or implicit guarantee.



This device is intended only for OEM integrators under the following conditions:

1) The antenna must be installed such that 20 cm is maintained between the antenna and users, and the Max allowed antenna gain is as following table showed:

Operating Band	Antenna Gain (dBi)
WCDMA BAND II	8.5
WCDMA BAND IV	5.5
WCDMA BAND V	9.07
LTE BAND 2	9
LTE BAND 4	6
LTE BAND 5	9.41
LTE BAND 7	9
LTE BAND 12	8.85
LTE BAND 13	10.31
LTE BAND 14	10.38
LTE BAND 17	9.74
LTE BAND 25	9
LTE BAND 26 (814-824)	8.51
LTE BAND 26 (824-849)	8.56
LTE BAND 30	1
LTE BAND 38	9
LTE BAND 41	5.5
LTE BAND 66	6

2) The transmitter module may not be co-located with any other transmitter or antenna.

As long as 2 conditions above are met, further transmitter test will not be required. However, the OEM integrator is still responsible for testing their end-product for any additional compliance requirements required with this module installed

Host manufacturer is responsible for ensuring that the host continues to be compliant with the Part 15 subpart B unintentional radiator requirements after the module is installed and operational.



The document is subject to update from time to time owing to the product version upgrade or other reasons. Unless otherwise specified, the document only serves as the user guide. All the statements, information and suggestions contained in the document do not constitute any explicit or implicit guarantee.

IMPORTANT NOTE: In the event that these conditions can not be met (for example certain laptop configurations or co-location with another transmitter), then the FCC authorization is no longer considered valid and the FCC ID can not be used on the final product. In these circumstances, the OEM integrator will be responsible for re-evaluating the end product (including the transmitter) and obtaining a separate FCC authorization.

End Product Labeling

This transmitter module is authorized only for use in device where the antenna may be installed such that 20 cm may be maintained between the antenna and users. The final end product must be labeled in a visible area with the following: "Contains FCC ID: ZMOL860GL". The grantee's FCC ID can be used only when all FCC compliance requirements are met.

Manual Information To the End User

The OEM integrator has to be aware not to provide information to the end user regarding how to install or remove this RF module in the user's manual of the end product which integrates this module. The end user manual shall include all required regulatory information/warning as show in this manual.



This device complies with Industry Canada license-exempt RSS standard(s). Operation is subject to the following two conditions: (1) this device may not cause interference, and (2) this device must accept any interference, including interference that may cause undesired operation of the device.

Le présent appareil est conforme aux CNR d'Industrie Canada applicables aux appareils radio exempts de licence. L'exploitation est autorisée aux deux conditions suivantes : (1) l'appareil ne doit pas produire de brouillage, et (2) l'utilisateur de l'appareil doit accepter tout brouillage radioélectrique subi, même si le brouillage est susceptible d'en compromettre le fonctionnement.

Radiation Exposure Statement:

This equipment complies with IC radiation exposure limits set forth for an uncontrolled environment. This equipment should be installed and operated with minimum distance 20cm between the radiator & your body.

Déclaration d'exposition aux radiations:

Cet équipement est conforme aux limites d'exposition aux rayonnements IC établies pour un environnement non contrôlé. Cet équipement doit être installé et utilisé avec un minimum de 20 cm de distance entre la source de rayonnement et votre corps.\

This Class B digital apparatus complies with Canadian ICES-003.

Cet appareil numérique de la classe B est conforme à la norme NMB-003 du Canada.

The Innovation, Science and Economic Development Canada certification label of a module shall be clearly visible at all times when installed in the host device; otherwise, the host device must be labeled to display the Innovation, Science and Economic Development Canada certification number for the module, preceded by the words "Contains transmitter module IC: 21374-L860GL

L'étiquette de certification Innovation, Sciences et Développement économique Canada d'un module doit être clairement visible en tout temps lorsqu'elle est installée dans le dispositif hôte. sinon, le périphérique hôte doit être étiqueté pour afficher le numéro de certification Innovation, Sciences et Développement économique Canada du module, précédé des mots "Contient le module émetteur IC: 21374-L860GL.

The antenna must be installed such that 20 cm is maintained between the antenna and users, and the Max allowed antenna gain is as following table showed



L'antenne doit être installée de telle sorte que 20 cm soient maintenus entre l'antenne et les utilisateurs, et le gain d'antenne maximal autorisé est indiqué dans le tableau suivant.

Operating Band/ Bande d'opération	Max allowed Gain/ Max autorisé Gain (dBi)
WCDMA BAND II	8.50
WCDMA BAND IV	5.50
WCDMA BAND V	8.76
LTE BAND 2	9.00
LTE BAND 4	6.00
LTE BAND 5	8.25
LTE BAND 7	9.00
LTE BAND 12	8.76
LTE BAND 13	9.09
LTE BAND 14	9.13
LTE BAND 17	8.79
LTE BAND 25	9.00
LTE BAND 26 (824-849)	8.25
LTE BAND 30	1.00
LTE BAND 38	9.00
LTE BAND 41	5.50
LTE BAND 66	6.00



Trademark



The trademark is registered and owned by Fibocom Wireless Inc.

Version Record

Version	Update date	Remark
V1.0.0	2018-01-25	Draft version
V1.0.1	2018-03-09	<ol style="list-style-type: none"> 1. Add UL CA combinations description. 2. Modify pin definition and description.
V1.0.2	2018-07-19	<ol style="list-style-type: none"> 1. Modify module timing 2. Change tray package type 3. Modify CA Combinations 4. And add RF performance parameters and power consumption
V1.0.3	2018-07-28	<ol style="list-style-type: none"> 1. Modify B41 HPUE maximum TX power description 2. Delete Band21/Band32 Related Information

Applicability Table

No.	Product model	Description
1	L860-GL-01	NA



Contents

1 Foreword	11
1.1 Introduction	11
1.2 Reference Standard.....	11
1.3 Related Documents	11
2 Overview.....	12
2.1 Introduction	12
2.2 Specification.....	12
2.3 CA combinations	13
2.4 Application Framework.....	15
2.5 Hardware Block Diagram	15
2.6 Antenna Configuration	16
3 Application Interface.....	17
3.1 M.2 Interface	17
3.1.1 Pin Map.....	17
3.1.2 Pin Definition.....	18
3.2 Power Supply.....	22
3.2.1 Power Supply.....	22
3.2.2 Logic level.....	24
3.2.3 Power Consumption	24
3.3 Control Signal	26
3.3.1 Module Start-Up.....	27
3.3.1.1 Start-up Circuit	27
3.3.1.2 Start-up Timing Sequence.....	27
3.3.2 Module Shutdown.....	28
3.3.3 Module Reset.....	28
3.3.4 PCIe Reset	30
3.4 PCIe & USB	31
3.4.1 PCIe Interface.....	31
3.4.1.1 PCIe Interface Definition	31
3.4.1.2 PCIe Interface Application.....	32
3.4.2 USB Interface	34
3.4.2.1 USB Interface Definition.....	34
3.4.2.2 USB2.0 Interface Application	34



3.5 USIM Interface	35
3.5.1 USIM1 Pins.....	35
3.5.2 USIM2 Pins.....	35
3.5.3 USIM Interface Circuit	36
3.5.3.1 N.C. SIM Card Slot.....	36
3.5.3.2 N.O. SIM Card Slot.....	36
3.5.4 USIM Hot-Plugging.....	37
3.5.5 USIM Design.....	38
3.6 Status Indicator	38
3.6.1 LED#1 Signal.....	38
3.7 Interrupt Control	39
3.7.1 W_DISABLE1#	39
3.7.2 BODY SAR	40
3.7.3 ANT_CONFIG.....	40
3.8 ANT Tunable Interface	40
3.9 Configuration Interface	41
3.10 Other Interfaces	42
4 Radio Frequency	42
4.1 RF Interface	42
4.1.1 RF Interface Functionality.....	42
4.1.2 RF Connector Characteristic.....	42
4.1.3 RF Connector Dimension	42
4.2 Operating Band.....	44
4.3 Transmitting Power	45
4.4 Receiver Sensitivity.....	46
4.4.1 Dual Antenna Receiver Sensitivity	46
4.4.2 Four Antenna Receiver Sensitivity	47
4.5 GNSS	48
4.6 Antenna Design.....	49
5 Structure Specification	51
5.1 Dimension of Structure	51
5.2 M.2 Interface Model	51
5.3 M.2 Connector	52
5.4 Storage.....	53



5.4.1 Storage Life	53
5.5 Packing	53
5.5.1 Tray Package.....	53
5.5.2 Tray size	55



1 Foreword

1.1 Introduction

The document describes the electrical characteristics, RF performance, dimensions and application environment, etc. of L860-GL (hereinafter referred to as L860). With the assistance of the document and other instructions, the developers can quickly understand the hardware functions of L860 modules and develop products.

1.2 Reference Standard

The design of the product complies with the following standards:

- 3GPP TS 34.121-1 V8.11.0: User Equipment (UE) conformance specification; Radio transmission and reception (FDD);Part 1: Conformance specification
- 3GPP TS 34.122 V11.13.0: Technical Specification Group Radio Access Network; Radio transmission and reception (TDD)
- 3GPP TS 36.521-1 V13.4.0: User Equipment (UE) conformance specification; Radio transmission and reception; Part 1: Conformance testing
- 3GPP TS 21.111 V10.0.0: USIM and IC card requirements
- 3GPP TS 51.011 V4.15.0: Specification of the Subscriber Identity Module -Mobile Equipment (SIM-ME) interface
- 3GPP TS 31.102 V10.11.0: Characteristics of the Universal Subscriber Identity Module (USIM) application
- 3GPP TS 31.11 V10.16.0: Universal Subscriber Identity Module (USIM) Application Toolkit(USAT)
- 3GPP TS 36.124 V10.3.0: Electro Magnetic Compatibility (EMC) requirements for mobile terminals and ancillary equipment
- 3GPP TS 27.007 V10.0.8: AT command set for User Equipment (UE)
- 3GPP TS 27.005 V10.0.1: Use of Data Terminal Equipment - Data Circuit terminating Equipment (DTE - DCE) interface for Short Message Service (SMS) and Cell Broadcast Service (CBS)
- PCI Express M.2 Specification Rev1.1

1.3 Related Documents

- RF Antenna Application Design Specification
- L8-Family System Driver Integration and Application Guidance
- L8-Family AT Commands Manual



2 Overview

2.1 Introduction

L860 is a highly integrated 4G WWAN module which uses M.2 form factor interface. It supports LTE FDD/LTE TDD/WCDMA systems and can be applied to most cellular networks of mobile carrier in the world.

2.2 Specification

Specification						
Operating Band	LTE FDD: Band 1, 2, 3, 4, 5, 7, 8, 12, 13, 14, 17, 18, 19, 20, 25, 26, 28, 29, 30, 66					
	LTE TDD: Band 38, 39, 40, 41					
	LAA Band 46 Receiver only					
	WCDMA/HSPA+: Band 1, 2, 4, 5, 8					
	GNSS/Beidou: support					
Data Transmission	<table border="1"> <tr> <td>LTE</td> <td>1 Gbps DL/75 Mbps UL(Cat 16)</td> </tr> <tr> <td rowspan="2">UMTS/HSPA+</td> <td>UMTS:384 kbps DL/384 kbps UL</td> </tr> <tr> <td>DC-HSPA+:42 Mbps DL(Cat 24)//11.52 Mbps UL(Cat7)</td> </tr> </table>	LTE	1 Gbps DL/75 Mbps UL(Cat 16)	UMTS/HSPA+	UMTS:384 kbps DL/384 kbps UL	DC-HSPA+:42 Mbps DL(Cat 24)//11.52 Mbps UL(Cat7)
LTE	1 Gbps DL/75 Mbps UL(Cat 16)					
UMTS/HSPA+	UMTS:384 kbps DL/384 kbps UL					
	DC-HSPA+:42 Mbps DL(Cat 24)//11.52 Mbps UL(Cat7)					
Carrier aggregation	5CA Downlink					
Power Supply	DC 3.135V~4.4V, Typical 3.3V					
Temperature	Normal operating temperature: -10°C ~+55°C					
	Extended operating temperature: -20°C ~+65°C					
	Storage temperature: -40°C ~+85°C					
Physical characteristics	Interface: M.2 Key-B					
	Dimension: 30 x 42 x 2.3mm					
	Weight: About 6.2 g					
Interface						
Antenna	WWAN Antenna x 4					
Connector	Support 4x4 MIMO					
Function	Dual SIM, 3V/1.8V					
Interface	PCIe 2.0 X1					

Reproduction forbidden without Fibocom Wireless Inc. written authorization - All Rights Reserved.



Specification	
	USB 2.0
	USB 3.0(Reserved)
	W_Disable#
	Body Sar
	LED
	Tunable antenna
	I2S(Reserved)
Software	
Protocol Stack	IPV4/IPV6
AT commands	3GPP TS 27.007 and 27.005
Firmware update	PCIe
Other feature	Multiple carrier
	Windows MBIM support
	Windows update
	AGNSS

**Note:**

When temperature goes beyond normal operating temperature range of -10°C~+55°C, RF performance of module may be slightly off 3GPP specifications. For normal operating temperature, LTE FDD Band 4 and 13 can support temperature ranging from -20°C to +60°C.

2.3 CA combinations

DL CA Combinations		
2CA	Inter-band	1+3, 5, 7, 8, 18, 19, 20, 26, 28, 38, 41, 46
		2+4, 5, 12, 13, 14, 29, 30, 46, 66
		3+5, 7, 8, 19, 20, 28, 38, 40, 41, 46
		4+5, 12, 13, 29, 30, 46
		5+7, 30, 46, 66
		7+8, 20, 28, 32, 46
		12+30, 66
		13+46, 66
		14+30, 66
		25+26, 41, 46
		26+41
		29+30, 66
		30+66

Reproduction forbidden without Fibocom Wireless Inc. written authorization - All Rights Reserved.



DL CA Combinations		
		41+46
		46+66
	Intra-band(non-contiguous)	1, 2, 3, 4, 7, 25, 41, 66
	Intra-band(contiguous)	1, 2, 3, 5, 7, 40, 41, 66
3CA	Inter-band	1+3+5, 1+3+7, 1+3+8, 1+3+19, 1+3+20, 1+3+28, 1+3+38, 1+5+7, 1+7+8, 1+7+20, 1+7+28
		2+4+5, 2+4+12, 2+4+13, 2+5+30, 2+12+30, 2+29+30, 2+5+66, 2+13+66, 2+14+30, 2+14+66, 2+30+66, 2+5+46, 2+13+46, 2+46+66, 2+12+66
		3+5+7, 3+7+8, 3+7+20, 3+7+28
		4+5+30, 4+12+30, 4+29+30
		5+30+66, 5+46+66
		12+30+66, 13+46+66, 14+30+66, 29+30+66
	2 intra-band(non-contiguous) plus inter-band	2+2+5, 2+2+12, 2+2+13, 2+2+30, 2+2+66, 2+4+4, 2+46+46, 2+66+66
		3+7+7, 4+4+5, 4+4+12, 4+4+13, 4+46+46, 5+66+66
		12+66+66, 13+66+66, 46+46+66, 29+66+66, 30+66+66
	2 intra-band(contiguous) plus inter-band	1+3+3, 1+7+7, 1+40+40*, 1+41+41*
		2+5+5*, 2+46+46, 2+66+66
3+3+5*, 3+3+7, 3+3+20, 3+3+28*, 3+7+7, 3+40+40, 3+41+41*, 3+3+41		
4+46+46, 5+5+30*, 5+5+66, 5+46+46*, 5+66+66, 7+7+28*		
13+46+46*, 13+66+66, 25+41+41*, 26+41+41*, 28+40+40*, 46+46+66		
Intra-band(non-contiguous)	41, 66	
Intra-band(contiguous)	40*, 41*	
4CA	Inter-band	1+3+5+7, 1+3+7+8, 1+3+7+20, 1+3+7+28
		2+5+30+66, 2+12+30+66, 2+14+30+66
	2 intra-band(non-contiguous) plus 2 inter-band	2+2+5+66, 2+2+12+30, 2+2+12+66, 2+2+13+66, 2+5+66+66, 2+12+66+66, 2+13+66+66, 5+30+66+66, 29+30+66+66*
		1+3+3+5*, 1+3+3+7, 1+3+3+20*, 1+3+7+7, 1+7+7+28*, 1+3+40+40*, 2+5+5+30*, 2+5+5+66*, 2+5+46+46*, 2+13+46+46*, 2+46+46+46*, 2+46+46+66, 2+5+66+66, 2+13+66+66
	2 intra-band(contiguous) plus 2 inter-band	3+3+7+20*, 3+3+7+28*, 3+7+7+28*, 3+28+40+40*, 4+46+46+46*, 5+5+30+66*, 5+46+46+66*, 13+46+46+66*, 66+46+46+46*
		3+3+7+7
	2 intra-band(contiguous) plus 2 intra-band(contiguous)	5+5+66+66
	3 intra-band(contiguous) plus inter-band	2+46+46+46, 3+40+40+40, 4+46+46+46, 5+46+46+46, 13+46+46+46, 25+41+41+41, 28+40+40+40, 66+46+46+46
	Intra-band(non-contiguous)	41
	Intra-band(contiguous)	40*
5CA	2 intra-band(contiguous) plus 2 intra-band(contiguous) plus inter-band	1+3+3+7+7, 3+3+7+7+28*, 2+46+46+46+46*, 46+46+46+46+66*
	2 intra-band(contiguous) plus 3 inter-band	1+3+3+7+20*, 1+3+7+7+28*, 2+5+5+30+66*

Reproduction forbidden without Fibocom Wireless Inc. written authorization - All Rights Reserved.



DL CA Combinations		
2 intra-band(contiguous) plus 2 intra-band(non-contiguous) plus inter-band		2+5+5+66+66*
3 intra-band(contiguous) plus 2 intra-band(non-contiguous)		2+2+46+46+46*
3 intra-band(contiguous) plus 2 inter-band		2+5+46+46+46*, 2+13+46+46+46*, 2+46+46+46+46*, 2+46+46+46+66*, 3+28+40+40+40*, 4+46+46+46+46*, 5+46+46+46+66*, 13+46+46+46+66*, 46+46+46+46+66*
3 intra-band(contiguous) plus 2 intra-band(non-contiguous)		46+46+46+66+66*
4 intra-band(contiguous) plus inter-band		2+46+46+46+46*, 3+40+40+40+40*, 5+46+46+46+46*, 13+46+46+46+46*, 46+46+46+46+66*
Intra-band(non-contiguous)		41*



Note:

* Those CA are not defined in 3GPP as of publication date, they are not fully applicable for SAR test,support pending 3GPP approval.

2.4 Application Framework

The peripheral applications for L860 module are shown in Figure 2-1:

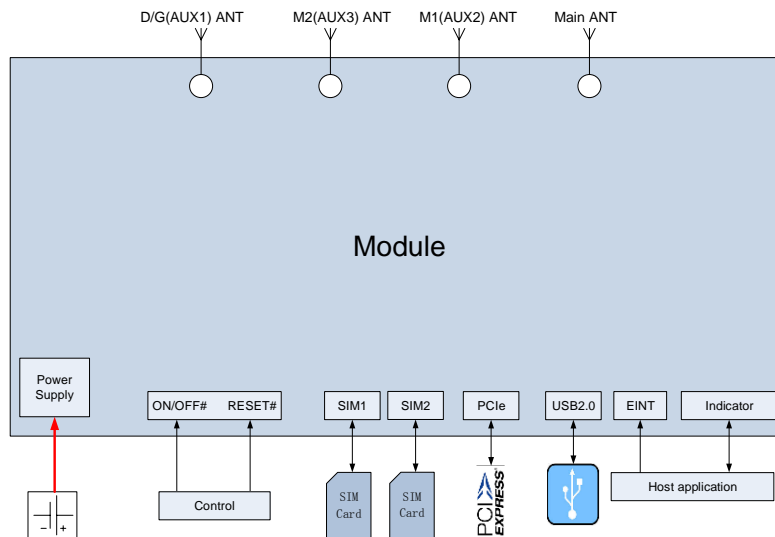


Figure2-1 Application Framework

2.5 Hardware Block Diagram

The hardware block diagram in Figure 2-2 shows the main hardware functions of L860 module, including base band and RF functions.



Baseband contains the followings:

- GSM/UMTS/LTE FDD controller/Power supply
- NAND/internal LPDDR4 RAM
- Application interface

RF contains the followings:

- RF Transceiver
- RF Power/PA
- RF Front end
- RF Filter
- Antenna Connector

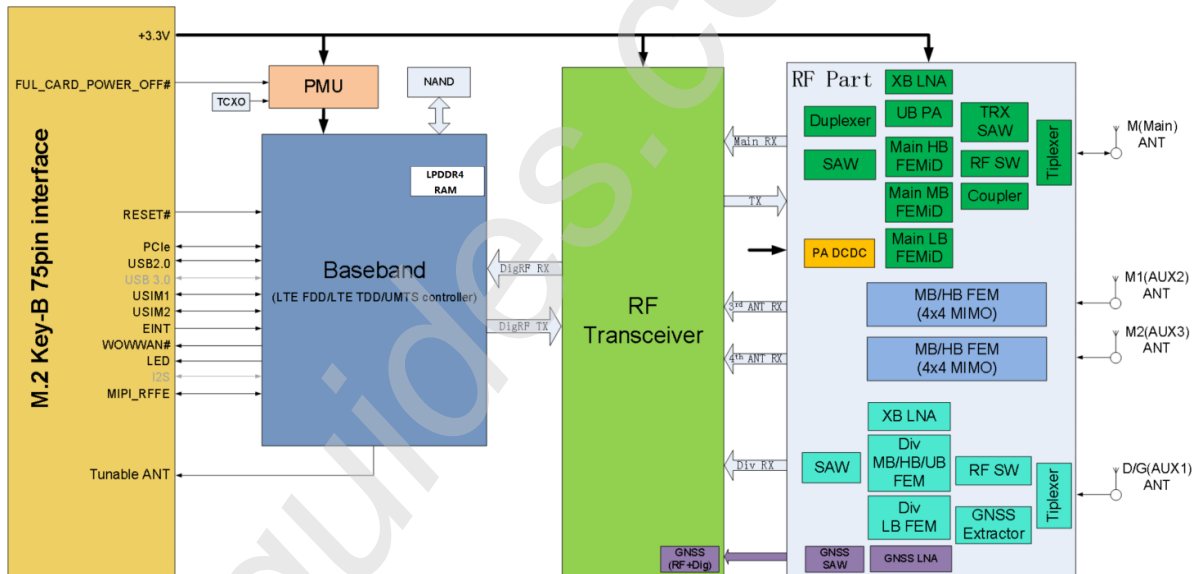


Figure 2-2 Hardware Block Diagram

2.6 Antenna Configuration

L860 module support four antennas and the configuration is as below table:

Antenna Connector	Function Description	Band configuration
M	Main ANT	All supported bands transmit & receive
M1	MIMO1 ANT	4x4 MIMO supported bands receive
M2	MIMO2 ANT	4x4 MIMO supported bands receive
D/G	Diversity & GNSS ANT	All supported bands and GNSS receive



3 Application Interface

3.1 M.2 Interface

The L860 module applies standard M.2 Key-B interface, with a total of 75 pins.

3.1.1 Pin Map

74	+3.3V	CONFIG_2	75
72	+3.3V	GND	73
70	+3.3V	GND	71
68	ANT_CONFIG(1.8V)	CONFIG_1	69
66	SIM_DETECT(1.8V)	RESET#(1.8V)	67
64	COEX_TXD(1.8V)	ANTCTL3(1.8V)	65
62	COEX_RXD(1.8V)	ANTCTL2(1.8V)	63
60	COEX3(1.8V)	ANTCTL1(1.8V)	61
58	RFFE_SDATA(1.8V)	ANTCTL0(1.8V)	59
56	RFFE_SCLK(1.8V)	GND	57
54	PEWAKE# (3.3V)	REFCLKP	55
52	CLKREQ# (3.3V)	REFCLKN	53
50	PERST# (3.3V)	GND	51
48	UIM2_PWR	PERp0	49
46	UIM2_RESET	PERn0	47
44	UIM2_CLK	GND	45
42	UIM2_DATA	PETp0	43
40	SIM2_DETECT(1.8V)	PETn0	41
38	NC	GND	39
36	UIM_PWR	USB3.0_RX+	37
34	UIM_DATA	USB3.0_RX-	35
32	UIM_CLK	GND	33
30	UIM_RESET	USB3.0_TX+	31
28	I2S_WA(1.8V)	USB3.0_TX-	29
26	W_DISABLE2#(3.3/1.8V)	GND	27
24	I2S_TX(1.8V)	DPR(3.3/1.8V)	25
22	RFFE_VIO(1.8V)	WOWWAN#(1.8V)	23
20	I2S_CLK(1.8V)	CONFIG_0	21
	Notch	Notch	
	Notch	Notch	
	Notch	Notch	
	Notch	Notch	
10	LED1#(3.3V OD)	GND	11
8	W_DISABLE1#(3.3/1.8V)	USB D-	9
6	FULL_CARD_POWER_OFF#(3.3/1.8V)	USB D+	7
4	+3.3V	GND	5
2	+3.3V	GND	3
		CONFIG_3	1

Figure 3-1 Pin Map



Note:

Pin “Notch” represents the gap of the gold fingers.



3.1.2 Pin Definition

The pin definition is as follows:

Pin	Pin Name	I/O	Reset Value	Pin Description	Type
1	CONFIG_3	O	NC	NC, L860 M.2 module is configured as the WWAN – PCIe, USB3.0 interface type	
2	+3.3V	PI	-	Power input	Power Supply
3	GND	-	-	GND	Power Supply
4	+3.3V	PI	-	Power input	Power Supply
5	GND	-	-	GND	Power Supply
6	FULL_CARD_POWER_OFF#	I	PU	Power enable, Module power on input, internal pull up	CMOS 3.3/1.8V
7	USB D+	I/O		USB Data Plus	0.3---3V
8	W_DISABLE1#	I	PD	WWAN Disable, active low	CMOS 3.3/1.8V
9	USB D-	I/O		USB Data Minus	0.3---3V
10	LED1#	OD	T	System status LED, Output open drain, CMOS 3.3V	CMOS 3.3V
11	GND	-	-	GND	Power Supply
12	Notch			Notch	
13	Notch			Notch	
14	Notch			Notch	
15	Notch			Notch	
16	Notch			Notch	
17	Notch			Notch	
18	Notch			Notch	
19	Notch			Notch	
20	I2S_CLK	O	PD	I2S Serial clock, Reserved	CMOS 1.8V
21	CONFIG_0		NC	NC, L860 M.2 module is configured as the WWAN – PCIe, USB3.0 interface type	
22	I2S_RX	I	PD	I2S Serial receive data, Reserved	CMOS 1.8V

Reproduction forbidden without Fibocom Wireless Inc. written authorization - All Rights Reserved.



Pin	Pin Name	I/O	Reset Value	Pin Description	Type
23	WOWWAN#	O	PD	Wake up host, Reserved	CMOS 1.8V
24	I2S_TX	O	PD	I2S Serial transmit data, Reserved	CMOS 1.8V
25	DPR	I	PD	Body SAR Detect, active low	CMOS 3.3/1.8V
26	W_DISABLE2#	I	PD	GNSS disable, active low, Reserved	CMOS 3.3/1.8V
27	GND	-	-	GND	Power Supply
28	I2S_WA	O	PD	I2S Word alignment/select, Reserved	CMOS 1.8V
29	USB3.0_TX-	O		USB3.0 Transmit data minus, Reserved	
30	UIM_RESET	O	L	SIM reset signal	1.8V/3V
31	USB3.0_TX+	O		USB3.0 Transmit data plus, Reserved	
32	UIM_CLK	O	L	SIM clock Signal	1.8V/3V
33	GND	-	-	GND	Power Supply
34	UIM_DATA	I/O	L	SIM data input/output	1.8V/3V
35	USB3.0_RX-	I		USB3.0 receive data minus, Reserved	
36	UIM_PWR	O		SIM power supply, 3V/1.8V	1.8V/3V
37	USB3.0_RX+	I		USB3.0 receive data plus, Reserved	
38	NC			NC	
39	GND	-	-	GND	Power Supply
40	SIM2_DETECT	I	PD	SIM2 Detect, internal pull up(390KΩ), active high	CMOS 1.8V
41	PETn0	O		PCIe TX Differential signals Negative	
42	UIM2_DATA	I/O	L	SIM2 data input/output	1.8V/3V
43	PETp0	O		PCIe TX Differential signals Positive	
44	UIM2_CLK	O	L	SIM2 clock Signal	1.8V/3V
45	GND	-	-	GND	Power Supply
46	UIM2_RESET	O	L	SIM2 reset signal	1.8V/3V
47	PERn0	I		PCIe RX Differential signals Negative	
48	UIM2_PWR	O		SIM2 power supply, 3V/1.8V	1.8V/3V

Reproduction forbidden without Fibocom Wireless Inc. written authorization - All Rights Reserved.



Pin	Pin Name	I/O	Reset Value	Pin Description	Type
49	PERp0	I		PCIe RX Differential signals Positive	
50	PERST#	I	PU	Asserted to reset module PCIe interface default. If module went into core dump, it will reset whole module, not only PCIe interface. Active low, internal pull up(10KΩ)	CMOS 3.3V
51	GND	-	-	GND	Power Supply
52	CLKREQ#	O	PU	Asserted by device to request a PCIe reference clock be available (active clock state) in order to transmit data. It also used by L1 PM Sub states mechanism, asserted by either host or device to initiate an L1 exit. Active low, internal pull up(10KΩ)	CMOS 3.3V
53	REFCLKN	I		PCIe Reference Clock signal Negative	
54	PEWAKE#	O	L	Asserted to wake up system and reactivate PCIe link from L2 to L0, it depends on system whether supports wake up functionality. Active low, open drain output and should add external pull up on platform	CMOS 3.3V
55	REFCLKP	I		PCIe Reference Clock signal Positive	
56	RFFE_SCLK	O	PD	MIPI Interface Tunable ANT, RFFE clock	CMOS 1.8V
57	GND			GND	Power Supply
58	RFFE_SDATA	I/O	PD	MIPI Interface Tunable ANT, RFFE data	CMOS 1.8V
59	ANTCTL0	O	L	Tunable ANT CTRL0	CMOS 1.8V
60	COEX3	I/O	PD	Wireless Coexistence between WWAN and WiFi/BT modules, based on BT-SIG coexistence protocol. COEX_EXT_FTA, Reserved	CMOS 1.8V
61	ANTCTL1	O	PD	Tunable ANT CTRL1	CMOS 1.8V



Pin	Pin Name	I/O	Reset Value	Pin Description	Type
62	COEX_RXD	I	T	Wireless Coexistence between WWAN and WiFi/BT modules, based on BT-SIG coexistence protocol. UART receive signal(WWAN module side), Reserved	CMOS 1.8V
63	ANTCTL2	O	PD	Tunable ANT CTRL2	CMOS 1.8V
64	COEX_TXD	O	T	Wireless Coexistence between WWAN and WiFi/BT modules, based on BT-SIG coexistence protocol. UART transmit signal(WWAN module side), Reserved	CMOS 1.8V
65	ANTCTL3	O	PD	Tunable ANT CTRL3	CMOS 1.8V
66	SIM1_DETECT	I	PD	SIM1 Detect, internal pull up(390K Ω), active high	CMOS 1.8V
67	RESET#	I	PU	WWAN reset input, internal pull up(10K Ω), active low	CMOS 1.8V
68	ANT_CONFIG	I	PD	Host antenna configuration detect, internal pull up(100K Ω), Reserved	CMOS 1.8V
69	CONFIG_1	O	GND	GND, L860 M.2 module is configured as the WWAN – PCIe, USB3.0 interface type	
70	+3.3V	PI	-	Power input	Power Supply
71	GND	-	-	GND	Power Supply
72	+3.3V	PI	-	Power input	Power Supply
73	GND	-	-	GND	Power Supply
74	+3.3V	PI	-	Power input	Power Supply
75	CONFIG_2	O	NC	NC, L860 M.2 module is configured as the WWAN – PCIe, USB3.0 interface type	

Reset Value: The initial status after module reset, not the status when working.

H: High Voltage Level

L: Low Voltage Level

PD: Pull-Down

PU: Pull-Up

T: Tristate



OD: Open Drain

PI: Power Input

PO: Power Output



Note:

The unused pins can be left floating.

3.2 Power Supply

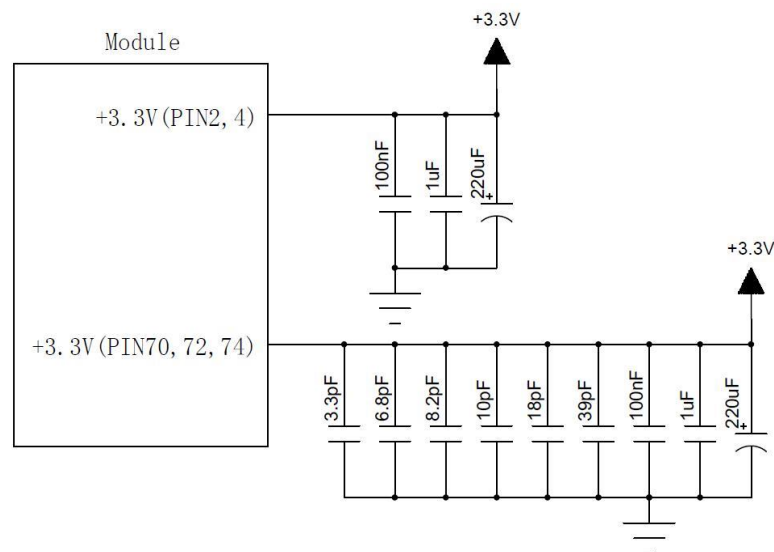
The power interface of L860 module as shown in the following table:

Pin	Pin Name	I/O	Pin Description	DC Parameter (V)		
				Minimum Value	Typical Value	Maximum Value
2, 4, 70, 72, 74	+3.3V	PI	Power supply input	3.135	3.3	4.4
36	UIM_PWR	PO	USIM power supply	-	1.8V/3V	-
48	UIM2_PWR	PO	USIM power supply	-	1.8V/3V	-

L860 module uses PCIe interface, according to the PCIe specification, the PCIe Vmain should be used as the +3.3V power source, not the Vaux. The Vaux is the PCIe backup power source and it is not sufficient as the power supply. In addition, the DC/DC power supply other than PCIe ports should not be used as the external power cannot control the module status through the PCIe protocol.

3.2.1 Power Supply

The L860 module should be powered through the +3.3V pins, and the power supply design is shown in Figure 3-2:



Reproduction forbidden without Fibocom Wireless Inc. written authorization - All Rights Reserved.

Figure 3-2 Power Supply Design

The filter capacitor design for power supply as shown in the following table:

Recommended capacitance	Application	Description
220uF x 2	Voltage-stabilizing capacitors	Reduce power fluctuations of the module in operation, requiring capacitors with low ESR. <ul style="list-style-type: none"> ● LDO or DC/DC power supply requires the capacitor of no less than 440uF ● The capacitor for battery power supply can be reduced to 100~200uF
1uF, 100nF	Digital signal noise	Filter out the interference generated from the clock and digital signals
39pF, 33pF	700/800, 850/900 MHz frequency band	Filter out low frequency band RF interference
18pF, 10pF, 8.2pF, 6.8pF, 3.3pF	1500/1700/1800/1900, 2100/2300, 2500/2600MHz, 3500/3700MHz, 5GHz frequency band	Filter out medium/high frequency band RF interference

The stable power supply can ensure the normal operation of L860 module; and the ripple of the power supply should be less than 300mV in design. Because module support 5CA download, when module operates with the maximum data transfer throughput, the maximum operating current can reach to upper 2500mA. It requests the power source voltage should not be lower than 3.135V, otherwise module may shut down or restart. The power supply requirement is shown in Figure 3-3:

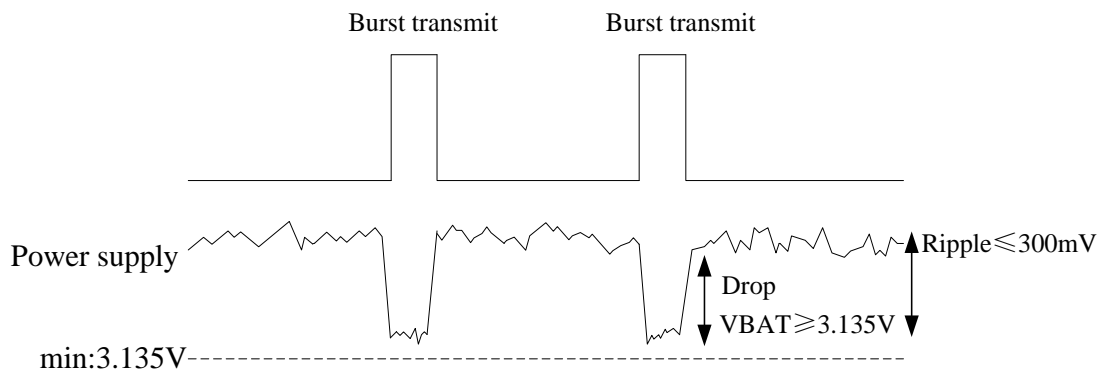


Figure 3-3 Power Supply Requirement



3.2.2 Logic level

The L860 module 1.8V logic level definition as shown in the following table:

Parameters	Minimum	Typical	Maximum	Unit
1.8V logic level	1.71	1.8	1.89	V
V _{IH}	1.3	1.8	1.89	V
V _{IL}	-0.3	0	0.3	V

The L860 module 3.3V logic level definition as shown in the following table:

Parameters	Minimum	Typical	Maximum	Unit
3.3V logic level	3.135	3.3	3.465	V
V _{IH}	2.3	3.3	3.465	V
V _{IL}	-0.3	0	0.3	V

3.2.3 Power Consumption

In the condition of 3.3V power supply, the L860 power consumption as shown in the following table:

Parameter	Mode	Condition	Average Current(mA)
I _{off}	Power off	Power supply, module power off	0.08
I _{Sleep}	WCDMA	DRX=6	13
		DRX=8	11.5
		DRX=9	11
	LTE FDD	Paging cycle #64 frames (0.64 sec DRx cycle)	13
	LTE TDD	Paging cycle #64 frames (0.64 sec DRx cycle)	13
	Radio Off	AT+CFUN=4, Flight mode	10
I _{WCDMA-RMS}	WCDMA	WCDMA Data call Band 1 @+23.5dBm	665
		WCDMA Data call Band 2 @+23.5dBm	625
		WCDMA Data call Band 4 @+23.5dBm	825
		WCDMA Data call Band 5 @+23.5dBm	570
		WCDMA Data call Band 8 @+23.5dBm	565



Parameter	Mode	Condition	Average Current(mA)
I _{LTE-RMS}	LTE FDD	LTE FDD Data call Band 1 @+23dBm	840
		LTE FDD Data call Band 2 @+23dBm	970
		LTE FDD Data call Band 3 @+23dBm	785
		LTE FDD Data call Band 4 @+23dBm	890
		LTE FDD Data call Band 5 @+23dBm	700
		LTE FDD Data call Band 7 @+23dBm	890
		LTE FDD Data call Band 8 @+23dBm	725
		LTE FDD Data call Band 12 @+23dBm	610
		LTE FDD Data call Band 13 @+23dBm	750
		LTE FDD Data call Band 14 @+23dBm	750
		LTE FDD Data call Band 17 @+23dBm	625
		LTE FDD Data call Band 18 @+23dBm	690
		LTE FDD Data call Band 19 @+23dBm	700
		LTE FDD Data call Band 20 @+23dBm	635
		LTE FDD Data call Band 25 @+23dBm	1240
		LTE FDD Data call Band 26 @+23dBm	700
		LTE FDD Data call Band 28 @+23dBm	680
		LTE FDD Data call Band 30 @+23dBm	780
	LTE FDD Data call Band 66 @+23dBm	915	
	LTE TDD	LTE TDD Data call Band 38 @+23dBm	620
LTE TDD Data call Band 39 @+23dBm		450	
LTE TDD Data call Band 40 @+23dBm		770	
LTE TDD Data call Band 41 @+23dBm		690	

In 5CA mode, the L860 power consumption as shown in the following table:.

5CA Combination	Condition (LTE FDD 5CA, Full RB)	Average Current(mA)
1+3+3+7+7, 3+3+7+7+28, 2+46+46+46+46, 46+46+46+46+66 1+3+3+7+20, 1+3+7+7+28, 2+5+5+30+66 2+5+5+66+66, 2+2+46+46+46 2+5+46+46+46, 2+13+46+46+46, 2+46+46+46+46, 2+46+46+46+66, 3+28+40+40+40, 4+46+46+46+46, 5+46+46+46+66, 13+46+46+46+66, 46+46+46+66+66 2+46+46+46+46, 3+40+40+40+40, 5+46+46+46+46, 13+46+46+46+46, 41+41+41+41+41	Band 1 @+22dBm	<2500mA
	Band 2 @+22dBm	<2500mA
	Band 3 @+22dBm	<2500mA
	Band 5 @+22dBm	<2500mA
	Band 7 @+22dBm	<2500mA
	Band 13 @+22dBm	<2500mA
	Band 20 @+22dBm	<2500mA
	Band 28 @+22dBm	<2500mA
	Band 30 @+22dBm	<2500mA
	Band 40 @+22dBm	<2500mA
	Band 41 @+22dBm	<2500mA
	Band 66 @+22dBm	<2500mA

**Note:**

The data above is an average value obtained by testing some samples.

3.3 Control Signal

The L860 module provides two control signals for power on/off and reset operations, the pin defined as shown in the following table:

Pin	Pin Name	I/O	Reset Value	Functions	Type
6	FULL_CARD_POWER_OFF#	I	PU	Module power on/off input, internal pull up Power on: High/Floating Power off: Low	3.3/1.8V
67	RESET#	I	PU	WWAN reset input, internal pull up(10KΩ), active low	1.8V
50	PERST#	I	PU	Asserted to reset module PCIe interface default. If module went into core dump, it will reset whole module, not only PCIe interface. Active low, internal pull up(10KΩ)	CMOS 3.3V



Note:

RESET# and PERST# need to be controlled by independent GPIO, and not shared with other devices on the host.

3.3.1 Module Start-Up

3.3.1.1 Start-up Circuit

The FULL_CARD_POWER_OFF# pin needs an external 3.3V or 1.8V pull up for booting up. AP (Application Processor) controls the module start-up, the circuit design is shown in Figure3-4:

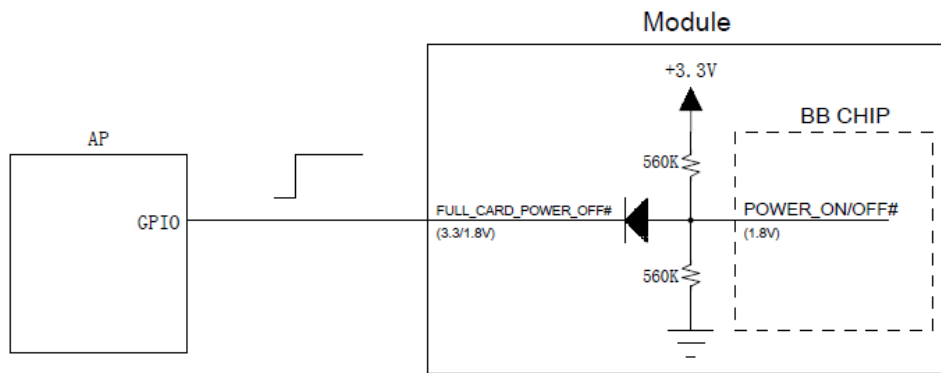


Figure 3-4 Circuit for Module Start-up Controlled by AP

3.3.1.2 Start-up Timing Sequence

When power supply is ready, the PMU of module will power on and start initialization process by pulling high FULL_CARD_POWER_OFF# signal. After about 10s, module will complete initialization process. The start-up timing is shown in Figure 3-5:

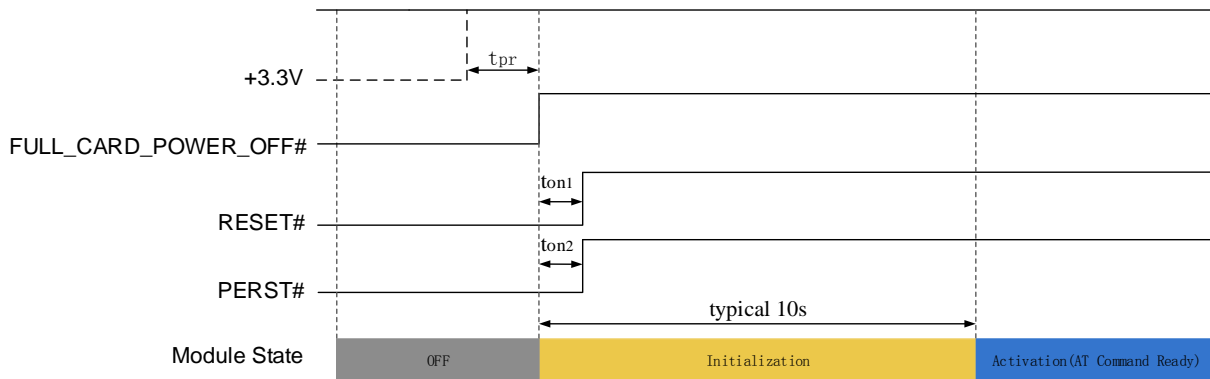


Figure 3-5 Timing Control for Start-up

Index	Minimum	Typical	Notes
t _{pr}	0ms	-	The delay time of power supply rising from 0V up to 3.135V. If power supply always ready, it can be ignored
t _{on1}	100ms	200ms	If the RESET# has a residual voltage, then 100ms is necessary

Reproduction forbidden without Fibocom Wireless Inc. written authorization - All Rights Reserved.



Index	Minimum	Typical	Notes
t _{on2}	100ms	400ms	PERST# should de-asserted after FULL_CARD_POWER_OFF#

3.3.2 Module Shutdown

Module can be shut down by following control:

Shutdown Control	Action	Condition
Software	Sending AT+CFUN=0 command	Normal shutdown(recommend)
Hardware	Pull down FULL_CARD_POWER_OFF# pin	Only used when a hardware exception occurs and the software control cannot be used.

Module can be shut down by sending AT+CFUN=0 command. When the module receives the software shutdown command, the module will start the finalization process (the reverse process of initialization), and it will be completed after t_{sd} time(t_{sd} is the time which AP receive OK of “AT+CFUN=0”, if there is no response, the max t_{sd} is 5s). In the finalization process, the module will save the network, SIM card and some other parameters from memory, then clear the memory and shut down PMU. The software control timing is shown in Figure 3-6:

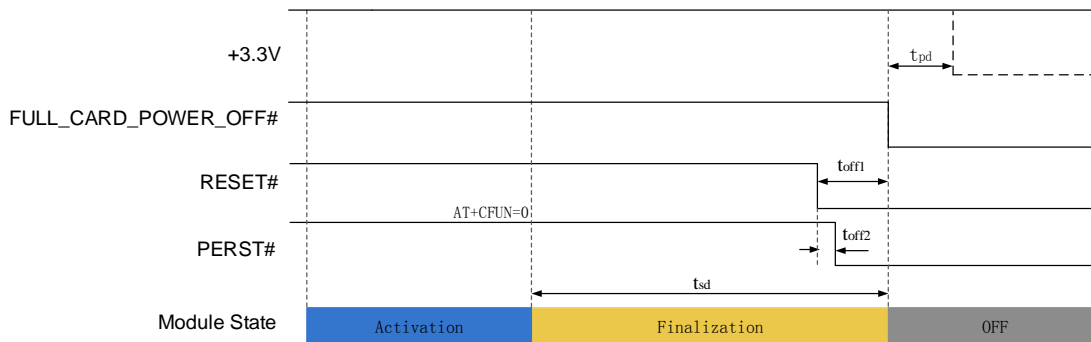


Figure 3-6 Software control power off timing

Index	Minimum	Typical	Maxim	Notes
t _{pd}	10ms	100ms	-	+3.3V power supply goes down time. If power supply is always on, it can be ignored
t _{off1}	10ms	30ms	-	RESET# should asserted before FULL_CARD_POWER_OFF#
t _{off2}	0ms	30ms	t _{off1}	PERST# should asserted after RESET#

3.3.3 Module Reset

The L860 module can reset to its initial status by pulling down the RESET# signal for more than 10ms



(30ms recommended), and module will restart after RESET# signal is released. When customer executes RESET# function, the PMU remains its power inside the module. The recommended circuit design is shown in the Figure 3-7:

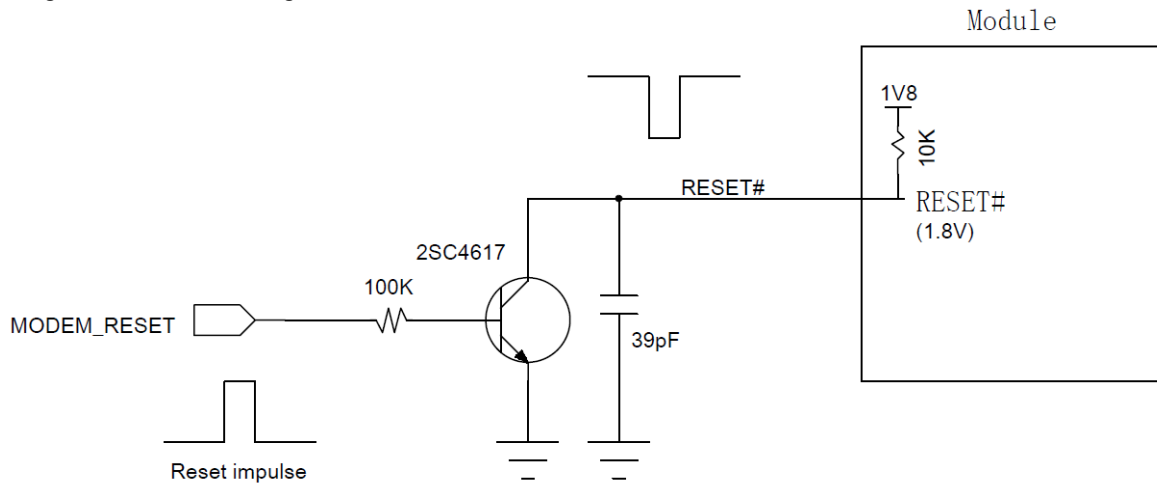


Figure 3-7 Recommended Design for Reset Circuit

There are two reset control timings as below:

- Host may keep FULL_CARD_POWER_OFF# high when system restarting, module reset timing is shown in the Figure 3-8;
- Host may assert FULL_CARD_POWER_OFF# high when system restarting, module reset timing is shown in the Figure 3-9;

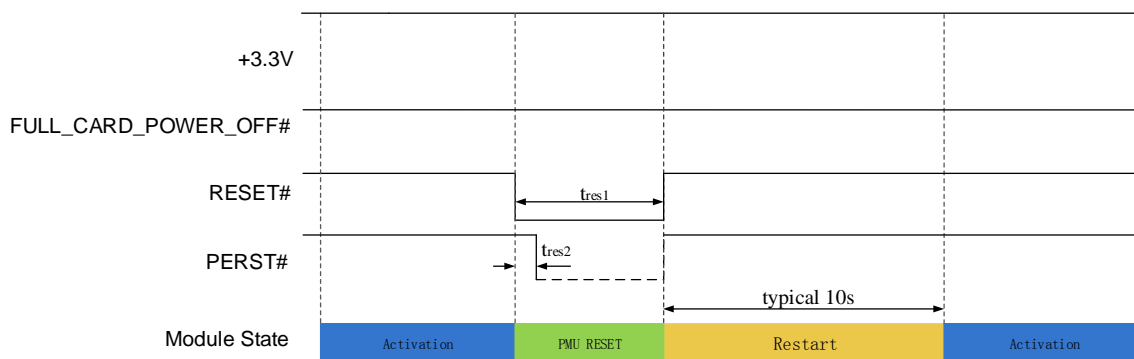


Figure 3-8 Reset control timing1st

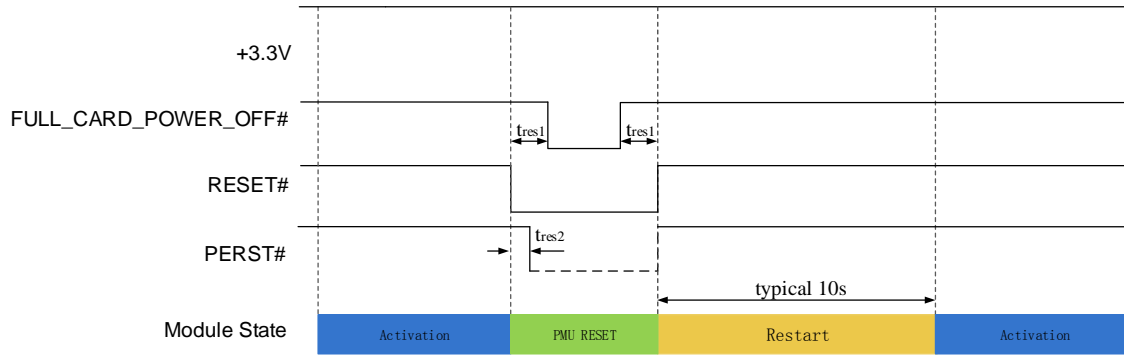


Figure 3-9 Reset control timing^{2nd}

Index	Minimum	Typical	Notes
t _{res1}	10ms	30ms	RESET# should asserted time
t _{res2}	0ms	30ms	PERST# should asserted after RESET#. PERST# is not required for modem restart, thus this pin can be remains high during restart



Note:

RESET# is a sensitive signal, it's recommended to add a filter capacitor close to the module. In case of PCB layout, the RESET# signal lines should keep away from the RF interference and protected by GND. Also, the RESET# signal lines shall neither near the PCB edge nor route on the surface planes to avoid module from reset caused by ESD problems.

3.3.4 PCIe Reset

Module supports PCIe goes in to D3cold L2 state in Win10 system. The D0->D3cold L2@S0/S0ix/S3

->D0 timing is shown in figure 3-10:

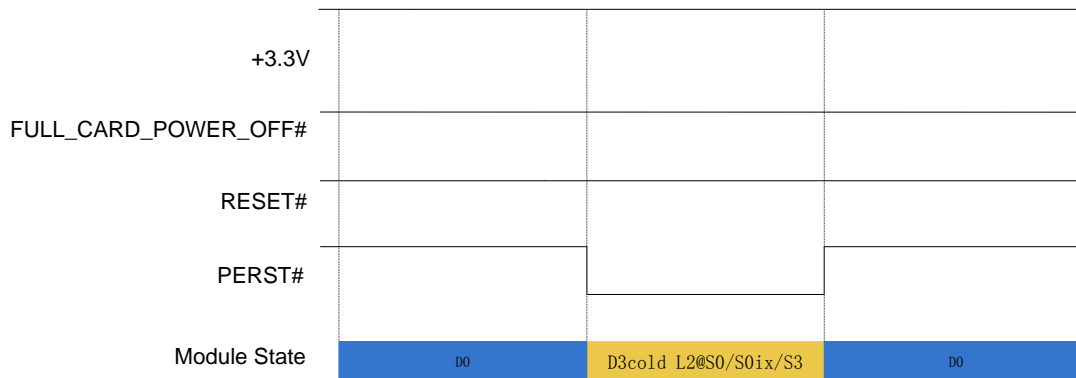


Figure 3-10 PCIe reset timing



3.4 PCIe & USB

L860 module supports PCIe and USB interface for data request. PCIe & USB interface functions are as below table:

Interface	System	Priority	Description
PCIe	Win10	High	Priority: PCIe>USB. If PCIe and USB ports connected both with PC, module will initial PCIe first, then disable USB port
USB	Android/Linux	Low	It must disconnect PCIe port, only keep USB connecting. If keep PCIe and USB connecting both, it needs disable PCIe by BIOS/UEFI of PC

3.4.1 PCIe Interface

L860 module supports PCIe Gen2, one lane for data transmission channel. It is also compatible with PCIe Gen1. After L860 module is inserted into PC, PCIe interface can work with the driver, then map a MBIM port and a GNSS port in Win10 system. While MBIM interface is used for initiating data service in Win10 system and GNSS interface for receiving GNSS data.

3.4.1.1 PCIe Interface Definition

Pin#	Pin Name	I/O	Reset Value	Description	Type
41	PETn0	O	-	PCIe TX Differential signals Negative	-
43	PETP0	O	-	PCIe TX Differential signals Positive	-
47	PERn0	I	-	PCIe RX Differential signals NegativeBit0	-
49	PERP0	I	-	PCIe RX Differential signals Positive	-
53	REFCLKN	I	-	PCIe Reference Clock signal Negative	-
55	REFCLKP	I	-	PCIe Reference Clock signal Positive	-
50	PERST#	I	PU	Asserted to reset module PCIe interface default. If module went into coredump, it will reset whole module, not only PCIe interface.	CMOS 3.3V

Pin#	Pin Name	I/O	Reset Value	Description	Type
				Active low, internal pull up(10KΩ)	
52	CLKREQ#	O	L	Asserted by device to request a PCIe reference clock be available (active clock state) in order to transmit data. It also used by L1 PM Sub states mechanism, asserted by either host or device to initiate an L1 exit. Active low, internal pull up(10KΩ)	CMOS 3.3V
54	PEWAKE#	O	L	Asserted to wake up system and reactivate PCIe link from L2 to L0, it depends on system whether supports wake up functionality. Active low, open drain output and should add external pull up on platform	CMOS 3.3V

3.4.1.2 PCIe Interface Application

The reference circuit is shown in Figure 3-11:

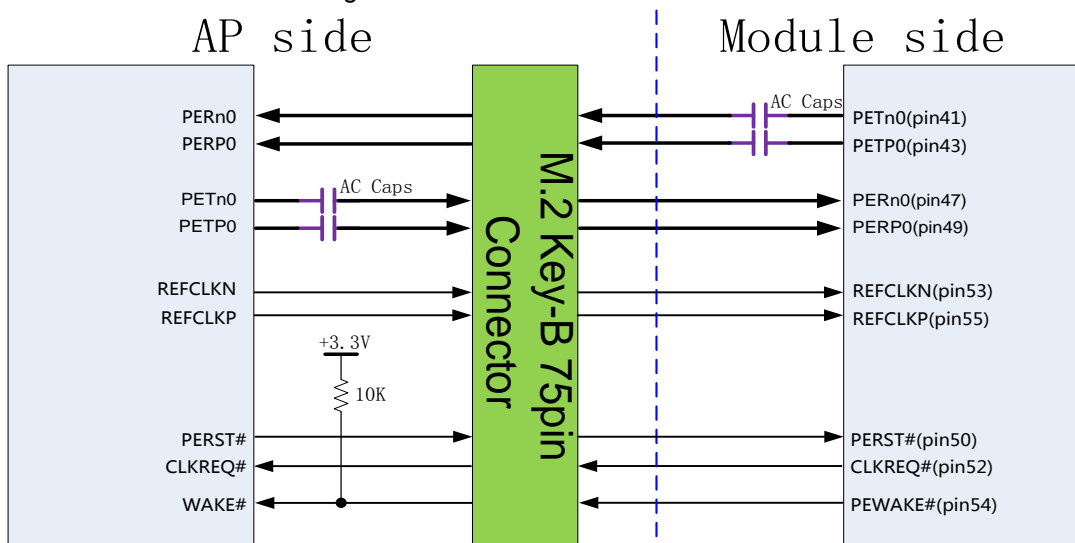


Figure 3-11 Reference Circuit for PCIe Interface

L860 module supports PCIe Gen2 interface, including three difference pairs: transmit pair TXP/N, receiving pair RXP/N and clock pair CLKP/N.

PCIe can achieve the maximum transmission rate of 5 GT/s, and must strictly follow the rules below in PCB Layout:

- The differential signal pair lines shall be parallel and equal in length;
- The differential signal pair lines shall be short if possible and be controlled within 15 inch(380 mm) for AP end;
- The impedance of differential signal pair lines is recommended to be 100 ohm, and can be controlled to 80~120 ohm in accordance with PCIe protocol;

- It shall avoid the discontinuous reference ground, such as segment and space;
- When the differential signal lines go through different layers, the via hole of grounding signal should be in close to that of signal, and generally, each pair of signals require 1-3 grounding signal via holes and the lines shall never cross the segment of plane;
- Try to avoid bended lines and avoid introducing common-mode noise in the system, which will influence the signal integrity and EMI of difference pair. As shown in Figure 3-12, the bending angle of all lines should be equal or greater than 135° , the spacing between difference pair lines should be larger than 20mil, and the line caused by bending should be greater than 1.5 times line width at least. When a serpentine line is used for length match with another line, the bended length of each segment shall be at least 3 times the line width ($\geq 3W$). The largest spacing between the bended part of the serpentine line and another one of the differential lines must be less than 2 times the spacing of normal differential lines ($S1 < 2S$);

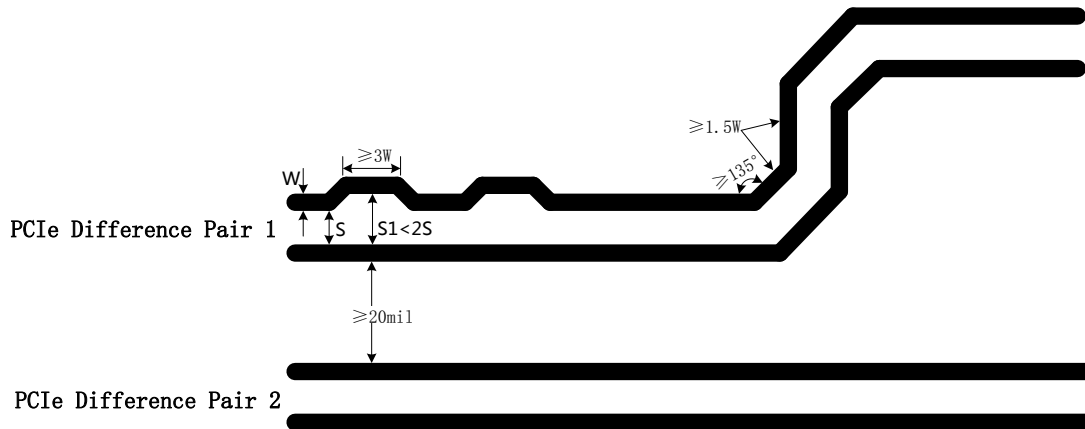


Figure 3-12 Requirement of PCIe Line

- The difference in length of two data lines in difference pair should be within 5mil, and the length match is required for all parts. When the length match is conducted for the differential lines, the designed position of correct match should be close to that of incorrect match, as shown in Figure 3-13. However, there is no specific requirements for the length match of transmit pair and receiving pair, that is, the length match is only required in the internal differential lines rather than between different difference pairs. The length match should be close to the signal pin and pass the small-angle bending design.

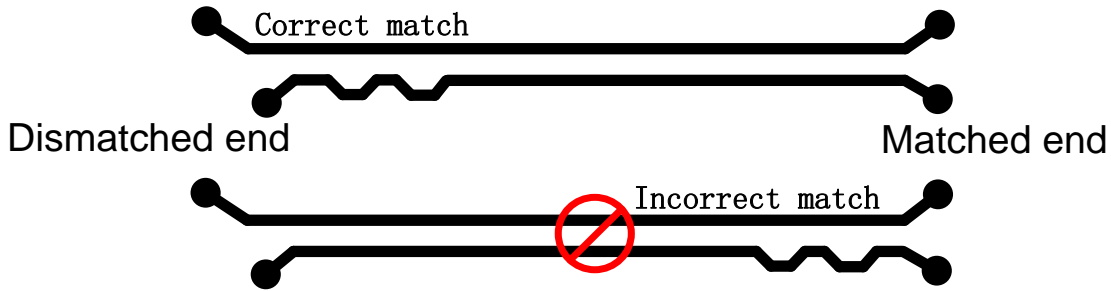


Figure 3-13 Length Match Design of PCIe Difference Pair

3.4.2 USB Interface

The L860 module supports USB2.0 which is compatible with USB High-Speed (480 Mbit/s) and USB Full-Speed (12 Mbit/s). For the USB timing and electrical specification of L860 module, please refer to Universal Serial Bus Specification 2.0”.

When module inserted PC, USB can enumerate three ACM and three NCM ports in Android/Linux system, the ports can be configured in practical application.

3.4.2.1 USB Interface Definition

Pin#	Pin Name	I/O	Description	Type
7	USB_D+	I/O	USB Data Plus	0.3---3V, USB2.0
9	USB_D-	I/O	USB Data Minus	0.3---3V, USB2.0

3.4.2.2 USB2.0 Interface Application

The reference circuit is shown in Figure 3-14:

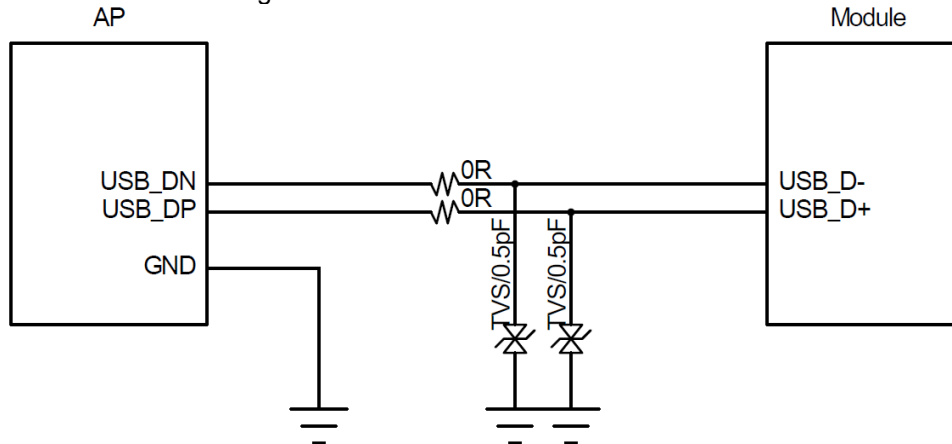


Figure 3-14 Reference Circuit for USB 2.0 Interface



Since the module supports USB 2.0 High-Speed, it is required to use TVS diodes with equivalent capacitance of 1pF or smaller ones on the USB_D-/D+ differential signal lines, it is recommended to use 0.5pF TVS diodes.

USB_D- and USB_D+ are high speed differential signal lines with the maximum transfer rate of 480 Mbit/s, so the following rules shall be followed carefully in the case of PCB layout:

- USB_D- and USB_D+ signal lines should have the differential impedance of 90 ohms.
- USB_D- and USB_D+ signal lines should be parallel and have the equal length, the right angle routing should be avoided.
- USB_D- and USB_D+ signal lines should be routed on the layer that is adjacent to the ground layer, and wrapped with GND vertically and horizontally.

3.5 USIM Interface

The L860 module has dual built-in USIM card interface, which supports 1.8V and 3V SIM cards.

3.5.1 USIM1 Pins

The USIM1 pins description as shown in the following table:

Pin	Pin Name	I/O	Reset Value	Description	Type
36	UIM_PWR	PO	_	USIM power supply	1.8V/3V
30	UIM_RESET	O	L	USIM reset	1.8V/3V
32	UIM_CLK	O	L	USIM clock	1.8V/3V
34	UIM_DATA	I/O	L	USIM data, internal pull up(4.7KΩ)	1.8V/3V
66	SIM_DETECT	I	PD	USIM card detect, internal 390K pull-up. Active high, and high level indicates SIM card is inserted; and low level indicates SIM card is detached.	1.8V

3.5.2 USIM2 Pins

The USIM2 pins description as shown in the following table:

Pin	Pin Name	I/O	Reset Value	Description	Type
48	UIM2_PWR	PO	_	USIM2 power supply	1.8V/3V
46	UIM2_RESET	O	L	USIM2 reset	1.8V/3V
44	UIM2_CLK	O	L	USIM2 clock	1.8V/3V

Reproduction forbidden without Fibocom Wireless Inc. written authorization - All Rights Reserved.

Pin	Pin Name	I/O	Reset Value	Description	Type
42	UIM2_DATA	I/O	L	USIM2 data, internal pull up(4.7KΩ)	1.8V/3V
40	SIM2_DETECT	I	PD	USIM2 card detect, internal 390K pull-up. Active high, and high level indicates SIM card is inserted; and low level indicates SIM card is detached.	1.8V

3.5.3 USIM Interface Circuit

3.5.3.1 N.C. SIM Card Slot

The reference circuit design for N.C. (Normally Closed) SIM card slot is shown in Figure 3-15:

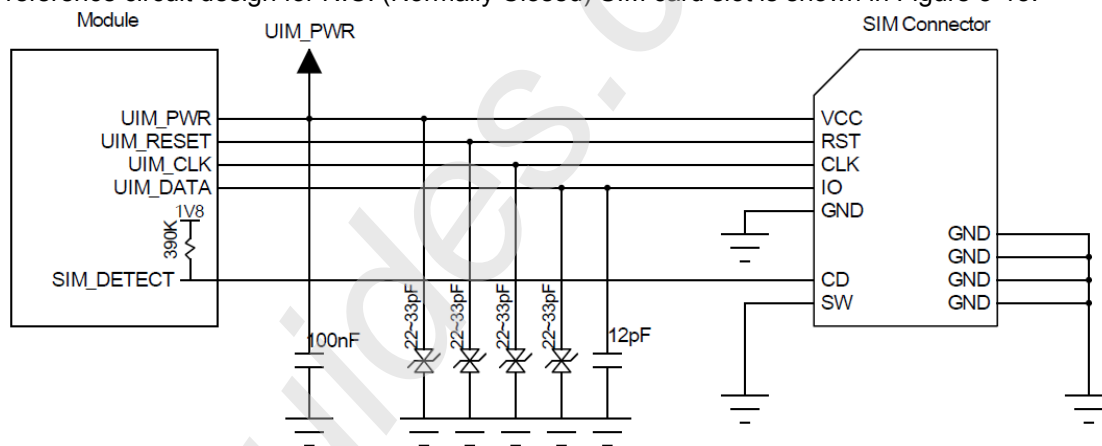


Figure 3-15 Reference Circuit for N.C. SIM Card Slot

The principles of the N.C.SIM card slot are described as follows:

- When the SIM card is detached, it connects the short circuit between CD and SW pins, and drives the SIM_DETECT pin low.
- When the SIM card is inserted, it connects an open circuit between CD and SW pins, and drives the SIM_DETECT pin high.

3.5.3.2 N.O. SIM Card Slot

The reference circuit design for N.O. (Normally Open) SIM card slot is shown in Figure 3-16:

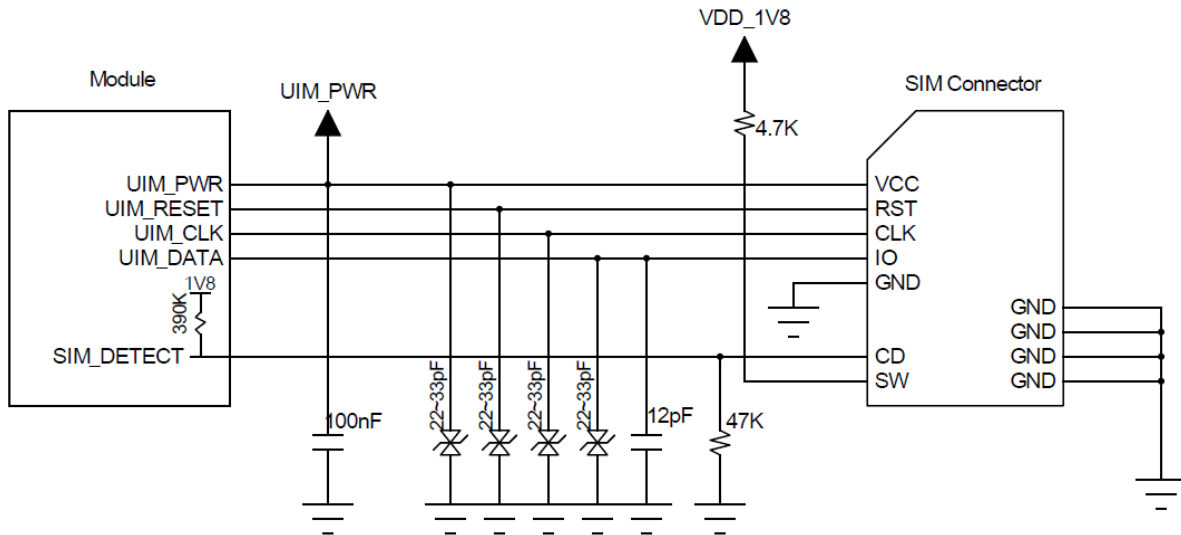


Figure 3-16 Reference Circuit for N.O. SIM Card Slot

The principles of the N.O.SIM card slot are described as follows:

- When the SIM card is detached, it connects an open circuit between CD and SW pins, and drives the SIM_DETECT pin low.
- When the SIM card is inserted, it connects the short circuit between CD and SW pins, and drives the SIM_DETECT pin high.

3.5.4 USIM Hot-Plugging

The L860 module supports the SIM card hot-plugging function, which determines whether the SIM card is inserted or detached by detecting the SIM_DETECT pin state of the SIM card slot.

The SIM card hot-plugging function can be configured by “AT+MSMPD” command, and the description for AT command as shown in the following table:

AT Command	Hot-plugging Detection	Function Description
AT+MSMPD=1	Enable	Default value, the SIM card hot-plugging detection function is enabled. The module can detect whether the SIM card is inserted or not through the SIM_DETECT pin state.
AT+MSMPD=0	Disable	The SIM card hot-plugging detect function is disabled. The module reads the SIM card when starting up, and the SIM_DETECT status will not be detected.

After the SIM card hot-plugging detection function is enabled, the module detects that the SIM card is



inserted when the SIM_DETECT pin is high, then executes the initialization program and finish the network registration after reading the SIM card information. When the SIM_DETECT pin is low, the module determines that the SIM card is detached and does not read the SIM card.



Note:

By default, SIM_DETECT is active-high, which can be switched to active-low by the AT command. Please refer to the AT Commands Manual for the AT command.

3.5.5 USIM Design

The SIM card circuit design shall meet the EMC standards and ESD requirements with the improved capability to resist interference, to ensure that the SIM card can work stably. The following guidelines should be noted in case of design:

- The SIM card slot placement should near the module as close as possible, and away from the RF antenna, DC/DC power supply, clock signal lines, and other strong interference sources.
- The SIM card slot with a metal shielding housing can improve the anti-interference ability.
- The trace length between the SIM card slot and the module should not exceed 100mm, or it could reduce the signal quality.
- The UIM_CLK and UIM_DATA signal lines should be isolated by GND to avoid crosstalk interference. If it is difficult for the layout, the whole SIM signal lines should be wrapped with GND as a group at least.
- The filter capacitors and ESD devices for SIM card signals should be placed near to the SIM card slot, and the ESD devices with 22~33pF capacitance should be used.

3.6 Status Indicator

The L860 module provides two signals to indicate the operating status of the module, and the status indicator pins as shown in the following table:

Pin	Pin Name	I/O	Reset Value	Pin Description	Type
10	LED1#	O	T	System status LED, drain output.	CMOS 3.3V
23	WOWWAN#	O	PD	Module wakes up Host (AP), Reserved	CMOS 1.8V

3.6.1 LED#1 Signal

The LED#1 signal is used to indicate the operating status of the module, and the detailed description as shown in the following table:



Module Status	LED1# Signal
RF function ON	Low level (LED On)
RF function OFF	High level (LED Off)

The LED driving circuit is shown in figure 3-17:

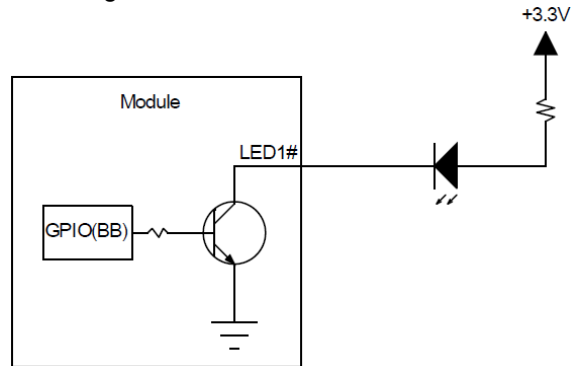


Figure 3-17 LED Driving Circuit



Note:

The resistance of LED current-limiting resistor is selected according to the driving voltage and the driving current.

3.7 Interrupt Control

The L860 module provides four interrupt signals, and the pin definition is as follows:

Pin	Pin Name	I/O	Reset Value	Pin Description	Type
8	W_DISABLE1#	I	PD	Enable/Disable RF network	CMOS 3.3/1.8V
25	DPR	I	PD	Body SAR detection	CMOS 3.3/1.8V
26	W_DISABLE2#	I	PD	GNSS Disable signal Reserved	CMOS 3.3/1.8V
68	ANT_CONFIG	I	PD	Host antenna configuration detection Reserved	CMOS 1.8V

3.7.1 W_DISABLE1#

The module provides a hardware pin to enable/disable WWAN RF function, and the function can also be controlled by the AT command. The module enters the Flight mode after the RF function is disabled. The definition of W_DISABLE1# signal is as below table:

W_DISABLE1# signal	Function
High/Floating	WWAN function is enabled, the module exits the Flight mode.

Reproduction forbidden without Fibocom Wireless Inc. written authorization - All Rights Reserved.



W_DISABLE1# signal	Function
Low	WWAN function is disabled, the module enters Flight mode.

**Note:**

The function of W_DISABLE1# can be customized, please refer to the software porting guide.

3.7.2 BODY SAR

The L860 module supports Body SAR function by detecting the DPR pin. The voltage level of DPR is high by default, and when the SAR sensor detects the closing human body, the DPR signal will be pulled down. As the result, the module then lowers down its emission power to its default threshold value, thus reducing the RF radiation on the human body. The threshold of emission power can be set by the AT Commands. The definition of DPR signal as shown in the following table:

DPR signal	Function
High/Floating	The module keeps the default emission power
Low	Lower the maximum emission power to the threshold value of the module.

3.7.3 ANT_CONFIG

L860 module can be configured to support dual antennas or 4 antennas by detecting the ANT_CONFIG pin. ANT_CONFIG is an input port which is pulled high internal in default. When ANT_CONFIG is high level, then module supports dual antennas (Main & D/G ANT). When module detects low level of ANT_CONFIG, then module will be configured to support 4 antennas. The definition of ANT_CONFIG signal is shown as below table:

ANT_CONFIG signal	Function
High/Floating	Support dual antennas(Main & D/G ANT), Reserved
Low	Support 4 antennas, Reserved

3.8 ANT Tunable Interface

The module supports ANT Tunable interfaces with two different control modes, i.e. MIPI interface and 4bit GPO interface. Through cooperating with external antenna adapter switch via ANT Tunable, it can flexibly configure the bands of LTE antenna to improve the antenna's working efficiency and save space for the antenna.

Pin	Pin Name	I/O	Pin Description	Type
22	RFFE_VIO	O	Tunable ANT control, MIPI Interface,	Power 1.8V

Reproduction forbidden without Fibocom Wireless Inc. written authorization - All Rights Reserved.



Pin	Pin Name	I/O	Pin Description	Type
			RFFE VIO	
56	RFFE_SCLK	O	Tunable ANT control, MIPI Interface, RFFE clock	CMOS 1.8V
58	RFFE_SDATA	I/O	Tunable ANT control, MIPI Interface, RFFE data	CMOS 1.8V
59	ANTCTL0	O	Tunable ANT control, GPO interface, Bit0	CMOS 1.8V
61	ANTCTL1	O	Tunable ANT control, GPO interface, bit1	CMOS 1.8V
63	ANTCTL2	O	Tunable ANT control, GPO interface, Bit2	CMOS 1.8V
65	ANTCTL3	O	Tunable ANT control, GPO interface, Bit3	CMOS 1.8V

3.9 Configuration Interface

The L860 module provides four configuration pins for the configuration as the WWAN-PCIe, USB3.0 type M.2 module:

Pin	Pin Name	I/O	Reset Value	Pin Description	Type
1	CONFIG_3	O	-	NC	
21	CONFIG_0	O	-	NC	
69	CONFIG_1	O	L	Internally connected to GND	
75	CONFIG_2	O	-	NC	

The M.2 module configuration as the following table:

Config_0 (pin21)	Config_1 (pin69)	Config_2 (pin75)	Config_3 (pin1)	Module Type and Main Host Interface	Port Configuration
NC	GND	NC	NC	WWAN - PCIe Gen2, USB3.0	Vendor defined

Please refer to PCI Express M.2 Specification Rev1.1[™] for more details.



3.10 Other Interfaces

The module does not support other interfaces yet.

4 Radio Frequency

4.1 RF Interface

4.1.1 RF Interface Functionality

The L860 module supports four RF connectors used for external antenna connection. As the Figure 4-1 shows, “M” is for Main antenna, used to receive and transmit RF signals; “D/G” is for Diversity antenna, used to receive the diversity RF signals. “M1” and “M2” are used for support 4x4 MIMO data transfer.

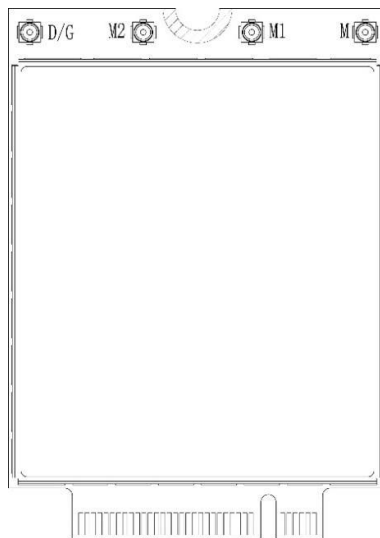


Figure 4-1 RF connectors

4.1.2 RF Connector Characteristic

Rated Condition		Environment Condition
Frequency Range	DC to 6GHz	Temperature Range
Characteristic Impedance	50Ω	-40°C to +85°C

4.1.3 RF Connector Dimension

L860 module adopts standard M.2 module RF connectors, the model name is 818004607 from ECT company, and the connector size is 2*2*0.6m. The connector dimension is shown as following picture:

Reproduction forbidden without Fibocom Wireless Inc. written authorization - All Rights Reserved.

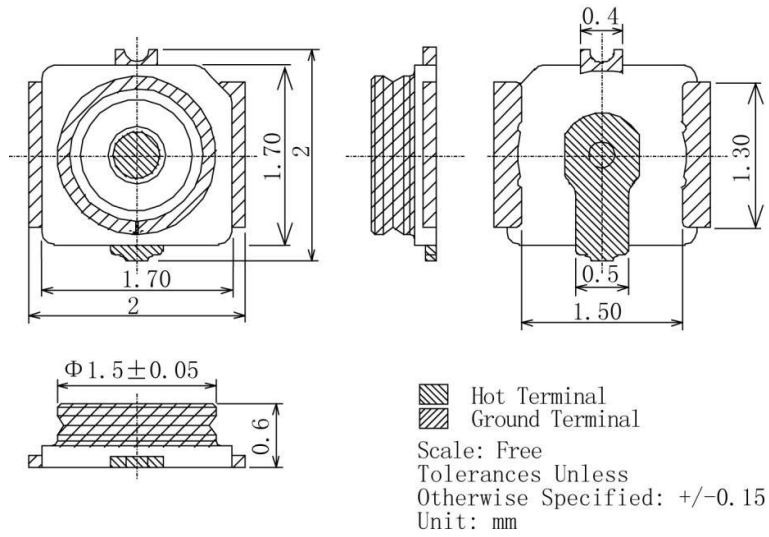


Figure 4-2 RF connector dimensions

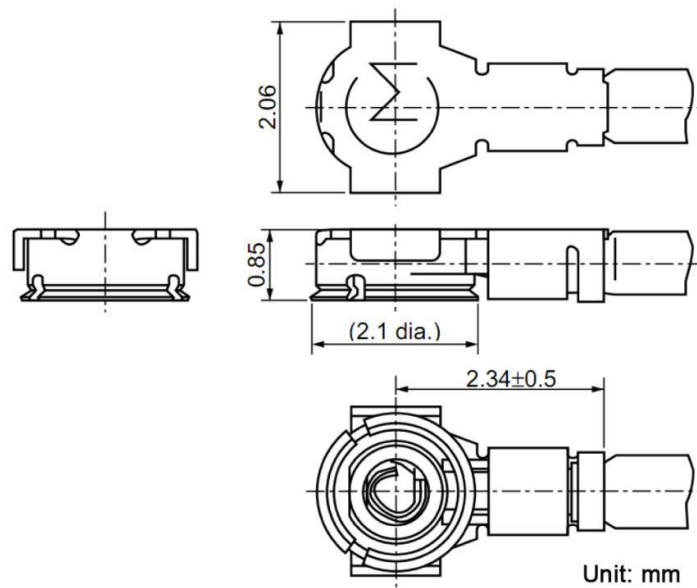


Figure 4-3 0.81mm coaxial antenna dimensions

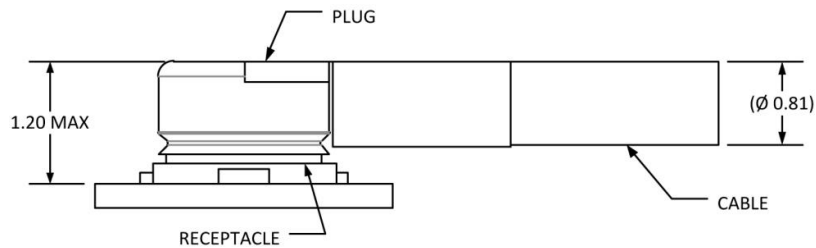


Figure 4-4 Schematic diagram of 0.81mm coaxial antenna connected to the RF connector



4.2 Operating Band

The L860 module operating bands of the antennas are as follows:

Operating Band	Description	Mode	Tx (MHz)	Rx (MHz)
Band 1	2100MHz	LTE FDD/WCDMA	1920 - 1980	2110 - 2170
Band 2	1900MHz	LTE FDD/WCDMA	1850 - 1910	1930 - 1990
Band 3	1800MHz	LTE FDD	1710 - 1785	1805 - 1880
Band 4	1700MHz	LTE FDD/WCDMA	1710 - 1755	2110 - 2155
Band 5	850MHz	LTE FDD/WCDMA	824 - 849	869 - 894
Band 7	2600Mhz	LTE FDD	2500 - 2570	2620 - 2690
Band 8	900MHz	LTE FDD/WCDMA	880 - 915	925 - 960
Band 12	700MHz	LTE FDD	699 - 716	729 - 746
Band 13	700MHz	LTE FDD	777 - 787	746 - 756
Band 14	700MHz	LTE FDD	788 - 798	758 - 768
Band 17	700MHz	LTE FDD	704 - 716	734 - 746
Band 18	800MHz	LTE FDD	815 - 830	860 - 875
Band 19	800MHz	LTE FDD	830 - 845	875 - 890
Band 20	800MHz	LTE FDD	832 - 862	791 - 821
Band 25	1900MHz	LTE FDD	1850 - 1915	1930 - 1995
Band 26	850MHz	LTE FDD	814 - 849	859 - 894
Band 28	700MHz	LTE FDD	703 - 748	758 - 803
Band 29	700MHz	LTE FDD	N/A	716 - 728
Band 30	2300MHz	LTE FDD	2305 - 2315	2350 - 2360
Band 66	1700MHz	LTE FDD	1710 - 1780	2110 - 2200
Band 38	2600MHz	LTE TDD	2570 - 2620	
Band 39	1900MHz	LTE TDD	1880 - 1920	
Band 40	2300MHz	LTE TDD	2300 - 2400	
Band 41	2500MHz	LTE TDD	2496 - 2690	
Band 46	5200MHz	LTE TDD	N/A	5150 - 5925
GPS L1	-	-	/	1575.42±1.023

Reproduction forbidden without Fibocom Wireless Inc. written authorization - All Rights Reserved.



Operating Band	Description	Mode	Tx (MHz)	Rx (MHz)
GLONASS L1	-	-	/	1602.5625±4
BeiDou	-	-	/	1561.098±2.046

4.3 Transmitting Power

The transmitting power for each band of the L860 module as shown in the following table:

Mode	Band	3GPP Requirement(dBm)	Tx Power(dBm)	Note
WCDMA	Band 1	24+1.7/-3.7	23.5±1	-
	Band 2	24+1.7/-3.7	23.5±1	-
	Band 4	24+1.7/-3.7	23.5±1	-
	Band 5	24+1.7/-3.7	23.5±1	-
	Band 8	24+1.7/-3.7	23.5±1	-
LTE FDD	Band 1	23±2.7	23±1	10MHz Bandwidth, 1 RB
	Band 2	23±2.7	23±1	10MHz Bandwidth, 1 RB
	Band 3	23±2.7	23±1	10MHz Bandwidth, 1 RB
	Band 4	23±2.7	23±1	10MHz Bandwidth, 1 RB
	Band 5	23±2.7	23+2/-1	10MHz Bandwidth, 1 RB
	Band 7	23±2.7	23±1	10MHz Bandwidth, 1 RB
	Band 8	23±2.7	23±1	10MHz Bandwidth, 1 RB
	Band 12	23±2.7	23±1	10MHz Bandwidth, 1 RB
	Band 13	23±2.7	23±1	10MHz Bandwidth, 1 RB
	Band 14	23±2.7	23±1	10MHz Bandwidth, 1 RB
	Band 17	23±2.7	23±1	10MHz Bandwidth, 1 RB
	Band 18	23±2.7	23±1	10MHz Bandwidth, 1 RB
	Band 19	23±2.7	23±1	10MHz Bandwidth, 1 RB
	Band 20	23±2.7	23±1	10MHz Bandwidth, 1 RB
	Band 25	23±2.7	23±1	10MHz Bandwidth, 1 RB
Band 26	23±2.7	23+2/-1	10MHz Bandwidth, 1 RB	
Band 28	23+2.7/-3.2	23±1	10MHz Bandwidth, 1 RB	

Reproduction forbidden without Fibocom Wireless Inc. written authorization - All Rights Reserved.



Mode	Band	3GPP Requirement(dBm)	Tx Power(dBm)	Note
	Band 30	23±2.7	23+1/-2	10MHz Bandwidth, 1 RB
	Band 66	23±2.7	23±1	10MHz Bandwidth, 1 RB
LTE TDD	Band 38	23±2.7	23±1	10MHz Bandwidth, 1 RB
	Band 39	23±2.7	23±1	10MHz Bandwidth, 1 RB
	Band 40	23±2.7	23±1	10MHz Bandwidth, 1 RB
	Band 41	Normal Mode:23±2.7 HPUE Mode:26±2.7	Normal Mode:23+2/-1 HPUE Mode:26+1.5/-1	10MHz Bandwidth, 1 RB

4.4 Receiver Sensitivity

4.4.1 Dual Antenna Receiver Sensitivity

All bands support dual antenna, the receiver sensitivity for each band of L860 module is shown in below table:

Mode	Band	3GPP Requirement (dBm)	Rx Sensitivity(dBm) Typical	Note
WCDMA	Band 1	-106.7	-111.0	BER<0.1%
	Band 2	-104.7	-110.6	BER<0.1%
	Band 4	-106.7	-110	BER<0.1%
	Band 5	-104.7	-111.4	BER<0.1%
	Band 8	-103.7	-111.4	BER<0.1%
LTE FDD	Band 1	-96.3	-101.1	10MHz Bandwidth
	Band 2	-94.3	-100.6	10MHz Bandwidth
	Band 3	-93.3	-101	10MHz Bandwidth
	Band 4	-96.3	-101.5	10MHz Bandwidth
	Band 5	-94.3	-103.1	10MHz Bandwidth
	Band 7	-94.3	-99	10MHz Bandwidth
	Band 8	-93.3	-102.5	10MHz Bandwidth
	Band 12	-93.3	-103.2	10MHz Bandwidth
	Band 13	-93.3	-103.1	10MHz Bandwidth
	Band 14	-93.3	-102.4	10MHz Bandwidth

Reproduction forbidden without Fibocom Wireless Inc. written authorization - All Rights Reserved.



Mode	Band	3GPP Requirement (dBm)	Rx Sensitivity(dBm) Typical	Note
	Band 17	-93.3	-103.5	10MHz Bandwidth
	Band 18	-96.3	-103.1	10MHz Bandwidth
	Band 19	-96.3	-103.2	10MHz Bandwidth
	Band 20	-93.3	-102.7	10MHz Bandwidth
	Band 25	-92.8	-98.5	10MHz Bandwidth
	Band 26	-93.8	-103.0	10MHz Bandwidth
	Band 28	-94.8	-103.3	10MHz Bandwidth
	Band 29	-93.3	--101	10MHz Bandwidth
	Band 30	-95.3	--101	10MHz Bandwidth
	Band 66	-95.8	-101.5	10MHz Bandwidth
LTE TDD	Band 38	-96.3	-100.2	10MHz Bandwidth
	Band 39	-96.3	-102.2	10MHz Bandwidth
	Band 40	-96.3	-100.1	10MHz Bandwidth
	Band 41	-94.3	-99.4	10MHz Bandwidth
	Band 46	-88.5	-95.5	20MHz Bandwidth

**Note:**

The above values are measured in dual antennas condition (Main+Diversity). For single main antenna (without Diversity), the sensitivity will drop about 3dBm for each band of LTE.

4.4.2 Four Antenna Receiver Sensitivity

Some middle/high bands support four antenna, the receiver sensitivity for some middle/high bands of L860 module is shown in below table:

Mode	Band	Middle/High Bands	3GPP Requirement (dBm)	Rx Sensitivity Typical(dBm)	Note
LTE FDD	Band 1	Middle Band	-99	-103.5	10MHz Bandwidth
	Band 2	Middle Band	-97	-104	10MHz Bandwidth
	Band 3	Middle Band	-96	-103	10MHz Bandwidth
	Band 4	Middle Band	-99	-104	10MHz Bandwidth
	Band 66	Middle Band	-98.5	/	10MHz Bandwidth



Mode	Band	Middle/High Bands	3GPP Requirement (dBm)	Rx Sensitivity Typical(dBm)	Note
LTE TDD	Band 7	High Band	-97	-103	10MHz Bandwidth
	Band 30	High Band	/	/	10MHz Bandwidth
	Band 40	High Band	-99	/	10MHz Bandwidth
	Band 41	High Band	-97	/	10MHz Bandwidth (2540~2655MHz)

**Note:**

The above values are measured in four antennas condition (Main+Diversity+M1+M2). If only use dual antennas (Main+Diversity), the sensitivity will drop about 3dBm for each band of LTE.

4.5 GNSS

L860 module supports GNSS/BeiDou and AGNSS functions, and adopts RF Diversity and GNSS/Beidou integrated antenna.

Description		Condition	Test Result
Power		GPS fixing	130mA / -122dbm
		GPS tracking	130mA / -122dbm
		GLONASS fixing	130mA / -122dbm
		GLONASS tracking	130mA / -122dbm
Power		BeiDou fixing	130mA / -122dbm
		BeiDou tracking	130mA / -122dbm
		GPS Sleep	4mA
		GLONASS Sleep	4mA
		BeiDou Sleep	4mA
TTFF	GPS	Cold start	37s / -130dBm
		Warm start	34s / -130dBm
		Hot Start	2s / -130dBm
	GLONASS	Cold start	31s / -130dBm
		Warm start	22s / -130dBm
		Hot Start	3s / -130dBm



Description		Condition	Test Result
	BeiDou	Cold start	148s / -130dBm
		Warm start	148s / -130dBm
		Hot Start	3s / -130dBm
	AGNSS	Cold start	/
Sensitivity	GPS	Tracking	-160dBm
		Acquisition	-149dBm
	GLONASS	Tracking	-160dBm
		Acquisition	-146dBm
	BeiDou	Tracking	-160dBm
		Acquisition	-141dBm

**Note:**

Please note that GPS current is tested with RF disabled.

4.6 Antenna Design

The L860 module provides main and diversity antenna interfaces, and the antenna design requirements as shown in the following table:

L860 module Main antenna requirements	
Frequency range	The most proper antenna to adapt the frequencies should be used.
Bandwidth(WCDMA)	WCDMA band 1(2100) : 250 MHz WCDMA band 2(1900) : 140 MHz WCDMA band 4(1700) : 445 MHz WCDMA band 5(850) : 70 MHz WCDMA band 8(900) : 80 MHz
Bandwidth(LTE)	LTE band 1(2100): 250 MHz LTE band 2(1900): 140MHz LTE Band 3(1800): 170 MHz LTE band 4(1700): 445MHz LTE band 5(850): 70 MHz LTE band 7(2600): 190 MHz LTE Band 8(900): 80 MHz

Reproduction forbidden without Fibocom Wireless Inc. written authorization - All Rights Reserved.

L860 module Main antenna requirements	
	LTE Band 12(700): 47 MHz LTE Band 13(700): 41 MHz LTE Band 14(700): 40 MHz LTE Band 17(700): 42 MHz LTE Band 18(800): 80 MHz LTE Band 19(800): 80 MHz LTE band 20(800): 71 MHz LTE band 25(1900): 145 MHz LTE band 26(850): 80 MHz LTE band 28(700): 100 MHz LTE band 29(700): 12 MHz LTE band 30(2300): 55 MHz LTE band 66(1700): 490MHz LTE band 38(2600): 50 MHz LTE Band 39(1900): 40 MHz LTE band 40(2300): 100 MHz LTE band 41(2500): 194 MHz LTE band 46(5GHz): 775 MHz
Bandwidth(GNSS/BeiDou)	GPS: 2 MHz GLONASS: 8 MHz BeiDou: 4 MHz
Impedance	50 ohm
Input power	> 28 dBm average power WCDMA & LTE
Recommended standing-wave ratio (SWR)	≤ 2:1

**Note:**

ANT on B30 suggestion: Peak gain<0dBi, for FCC EIRP requirement, Efficient>50% for carrier TRP requirement. If integrator doesn't follow the instruction, Fibocom doesn't take the responsibility.



5 Structure Specification

5.1 Dimension of Structure

The structural dimension of the L860 module is shown in Figure 5-2:

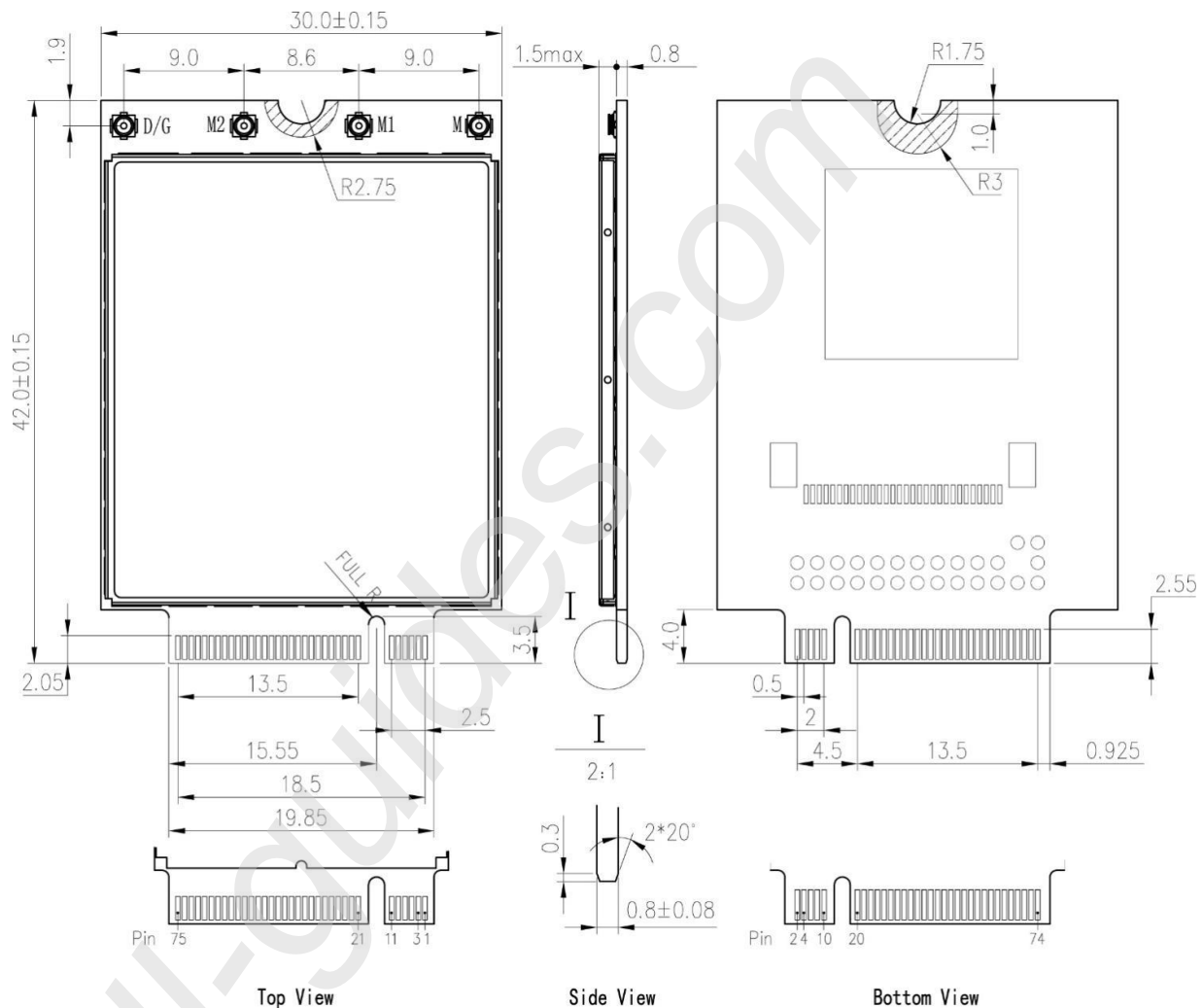


Figure 5-2 Dimension of Structure

5.2 M.2 Interface Model

The L860 M.2 module adopts 75-pin gold finger as external interface, where 67 pins are signal pins and 8 pins are notch pins as shown in Figure 3-1. For module dimension, please refer to [5.2 Dimension of Structure](#). Based on the M.2 interface definition, L860 module adopts Type 3042-S3-B interface (30x42mm, the component maximum height on t top layer is 1.5mm, PCB thickness is 0.8mm, and KEY ID is B).



Module Nomenclature
Sample type 3042-S3-B

Type XX XX - XX - X - X⁰

Width (mm)	Length (mm)	Component Max Ht (mm)	
		Top Max ⁰¹	Bottom Max ⁰¹
12	16	S1 1.2	0****
16	26	S2 1.35	0****
22	30	S3 1.5	0****
30	38	D1 1.2	1.35
	42	D2 1.35	1.35
	60	D3 1.5	1.35
	80	D4 1.5	0.7
	110	D5 1.5	1.5

Key ID	Pin	Interface
A	8-15	2x PCIe x1 / USB 2.0 / I2C / DP x4
B	12-19	PCIe x2/SATA/USB 2.0/USB 3.0/HSIC/SSIC/Audio/UIM/I2C
C	16-23	Reserved for Future Use
D	20-27	Reserved for Future Use
E	24-31	2x PCIe x1 / USB 2.0 / I2C / SDIO / UART / PCM
F	28-35	Future Memory Interface (FMI)
G	39-46	Generic (Not used for M.2)***
H	43-50	Reserved for Future Use
J	47-54	Reserved for Future Use
K	51-58	Reserved for Future Use
L	55-62	Reserved for Future Use
M	59-66	PCIe x4 / SATA

- ☒ Use ONLY when a double slot is being specified
- ☒☒ Label included in height dimension
- ☒☒☒ Key G is intended for custom use. Devices with this key will not be M.2-compliant. Use at your own risk!
- ☒☒☒☒ Insulating label allowed on connector-based designs

5.3 M.2 Connector

The L860 module connects to AP via M.2 connector, it is recommended to use M.2 connector from LOTES company with the model APCI0026-P001A as shown in Figure 5-3. The package of connector, please refer to the specification.

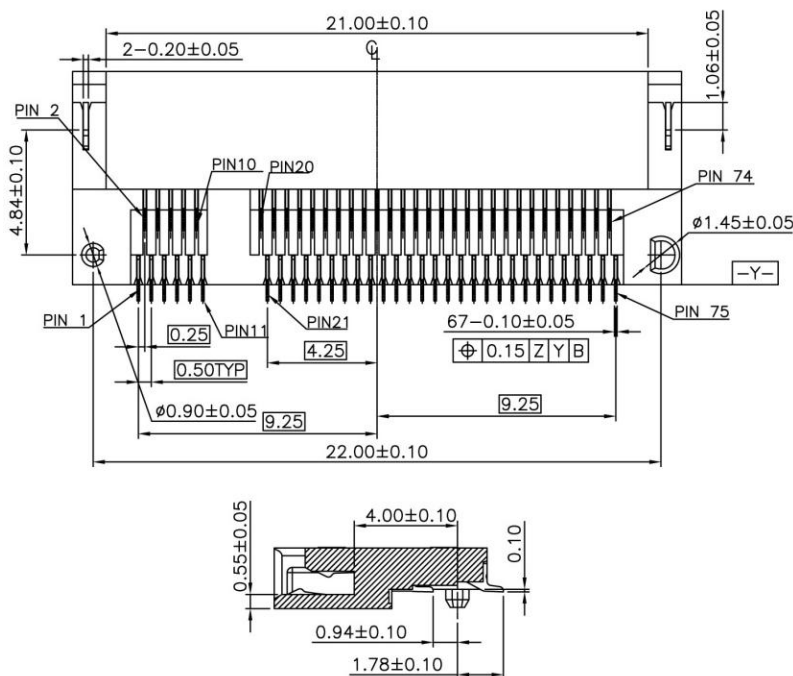


Figure 5-3 M.2 Dimension of Structure



5.4 Storage

5.4.1 Storage Life

Storage Conditions (recommended): Temperature is 23 ± 5 °C, relative humidity is less than RH 60%.

Storage period: Under the recommended storage conditions, the storage life is 12 months.

5.5 Packing

The L860 module uses the tray sealed packing, combined with the outer packing method using the hard cartoon box, so that the storage, transportation and the usage of modules can be protected to the greatest extent.



Note:

The module is a precision electronic product, and may suffer permanent damage if no correct electrostatic protection measures are taken.

5.5.1 Tray Package

The L860 module uses tray package, 20 pcs are packed in each tray, with 5 trays including one empty tray on top in each box and 5 boxes in each case. Tray packaging process is shown in Figure 5-4:

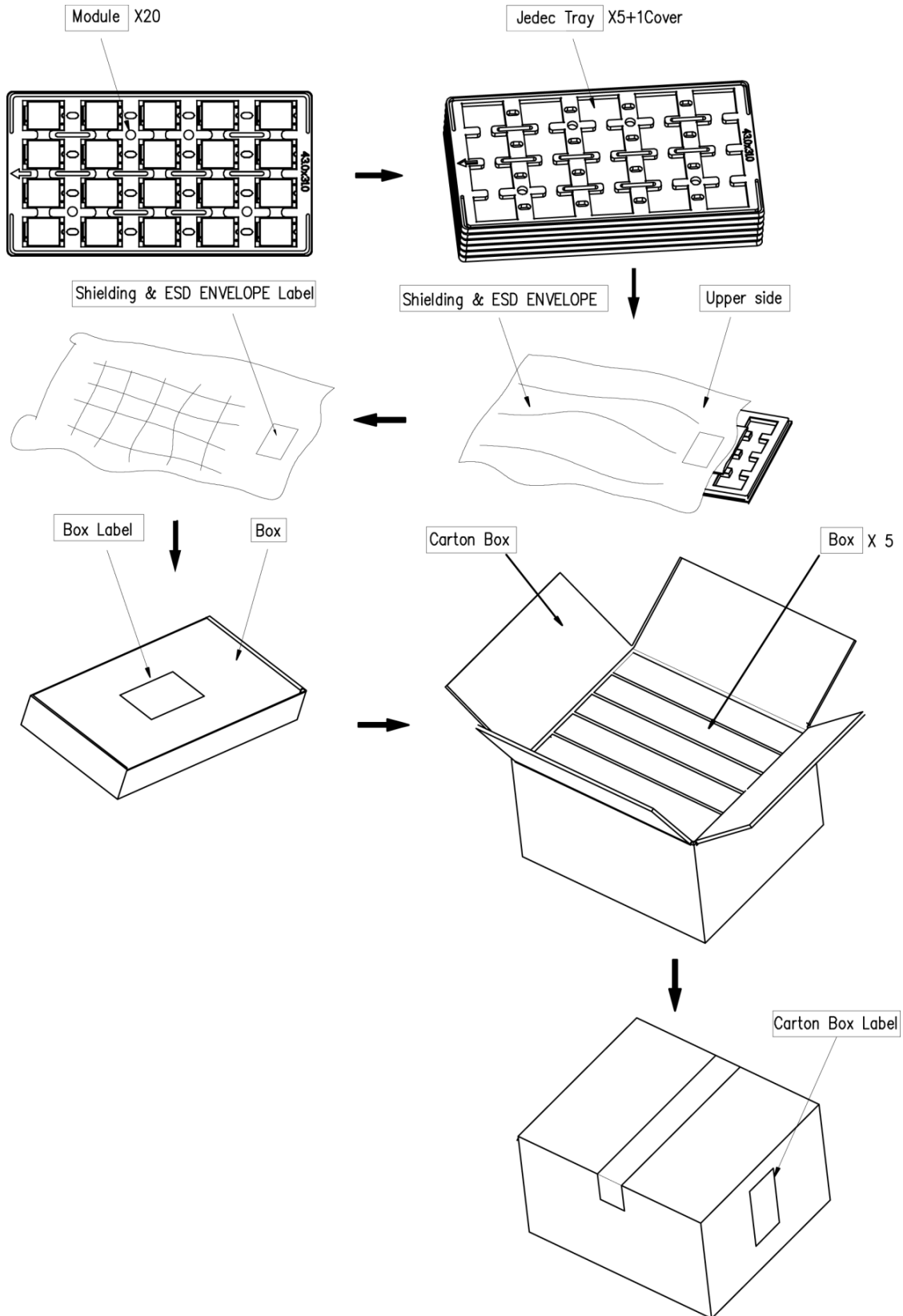


Figure 5-4 Tray Packaging Process



5.5.2 Tray size

The pallet size is 315*170*6.5mm, as shown in Figure 5-5:

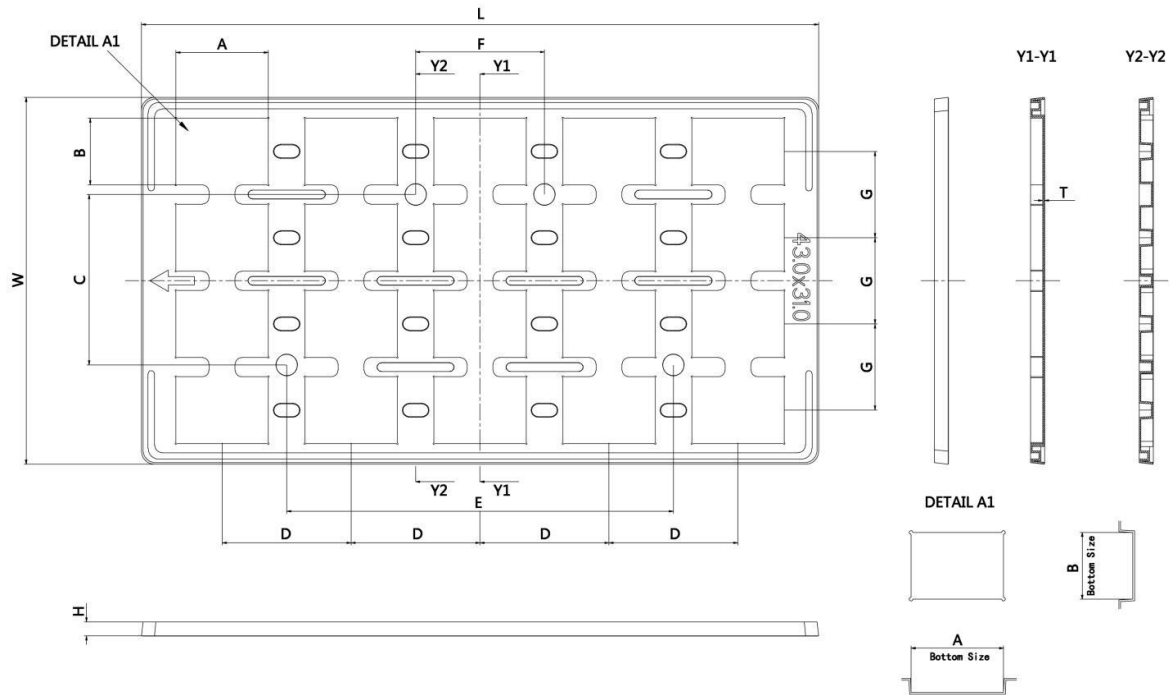


Figure 5-5 Tray Size (Unit: mm)

ITEM	DIM(Unit: mm)
L	315.0±2.0
W	170.0±2.0
H	6.5±0.3
T	0.8±0.1
A	43.0±0.3
B	31.0±0.3
C	79.0±0.2
D	60.0±0.2
E	180.0±0.2
F	60.0±0.2
G	40.0±0.2